



# T&S BRASS AND BRONZE WORKS, INC.

2 Saddleback Cove / P.O. Box 1088  
Travelers Rest, SC 29690

Model No.

**B-1111**

Item No.

Travelers Rest, SC: 800-476-4103 • Simi Valley, CA: 800-423-0150 • Fax: 864-834-3518 • www.tsbrass.com

This Space for Architect/Engineer Approval

Job Name \_\_\_\_\_ Date \_\_\_\_\_

Model Specified \_\_\_\_\_ Quantity \_\_\_\_\_

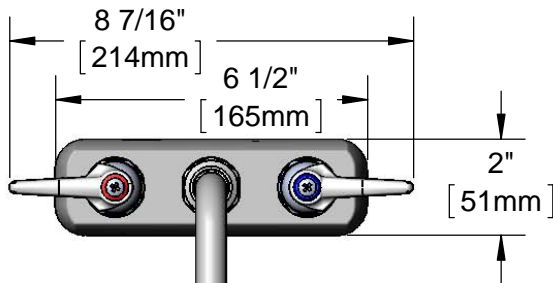
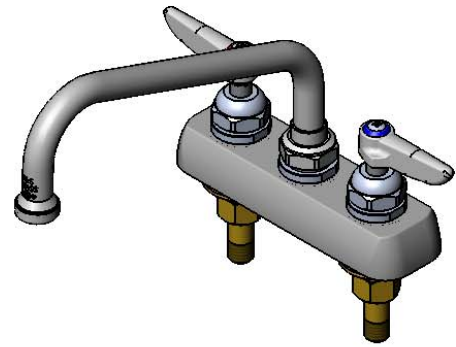
Customer/Wholesaler \_\_\_\_\_

Contractor \_\_\_\_\_

Architect/Engineer \_\_\_\_\_



**ADA Compliant**



Polish Chrome Plated Escutcheon

060X  
8" Swing Nozzle w/  
Stream Regulator Outlet

Lever Handles  
w/ Color Coded  
Indexes

Swivel Joint

3 1/16"  
[78mm]

1"  
[25mm]

1/4"  
[6mm]  
Maximum  
Thickness

4"  
[102mm]

1"  
[25mm]  
1/2" NPT  
Male Inlets

8"  
[203mm]

Mounting Surface

3 13/16"  
[96mm]

6 9/16"  
[166mm]

(2) 150A  
Optional Tailpiece & Nut  
for 1/4" NPT Connection  
(Included)

**Rough-In Requirement:**  
(2)  $\phi$  1" [25mm] Mounting Holes

**Product Specifications:**

**4" Deck Mount Workboard Faucet, Lever Handles, 8" Swing Nozzle & 1/2" NPT Male Inlets**

**Product Compliance:**

ASME A112.18.1 / CSA B125.1  
NSF 61 - Section 9  
NSF 372 (Low Lead Content)  
ANSI A117.1 (ADA)

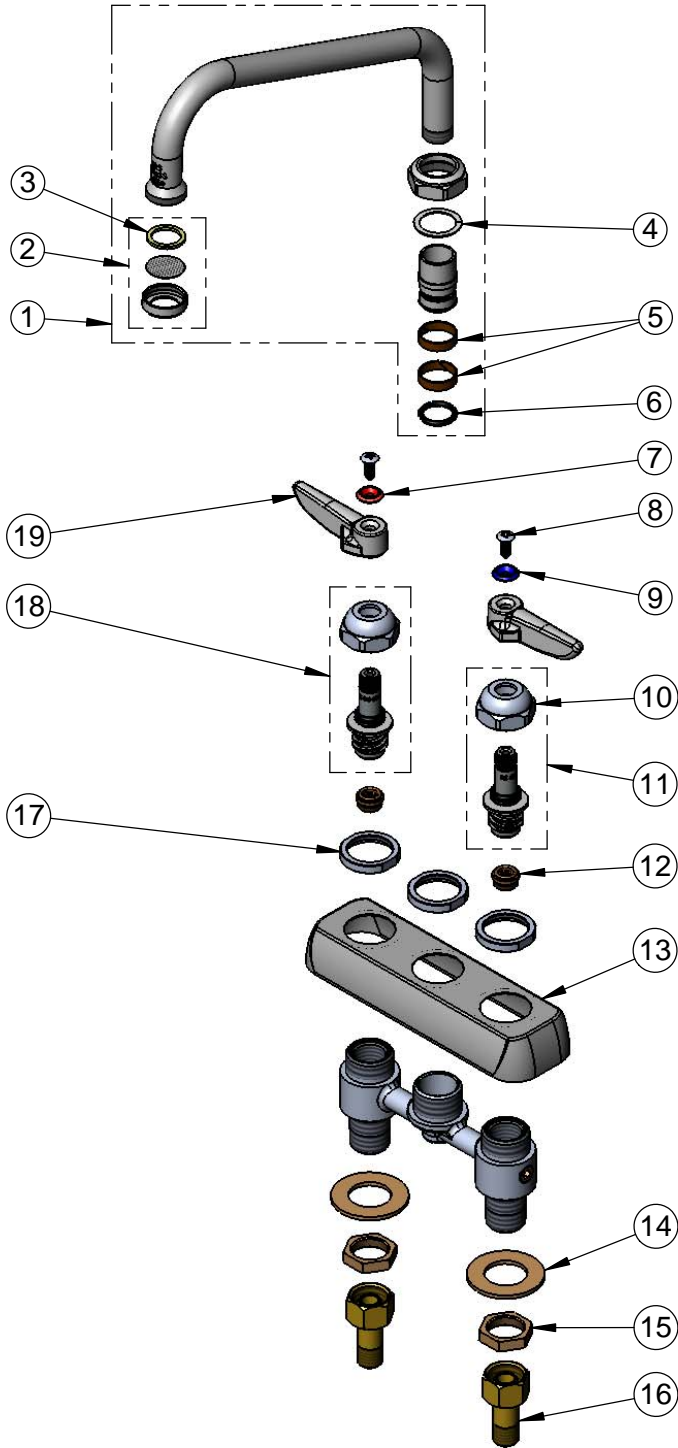


**T&S BRASS AND BRONZE WORKS, INC.**  
 2 Saddleback Cove / P.O. Box 1088  
 Travelers Rest, SC 29690

Model No.  
**B-1111**

Item No.

Travelers Rest, SC: 800-476-4103 • Simi Valley, CA: 800-423-0150 • Fax: 864-834-3518 • www.tsbrass.com



ITEM NO.	SALES NO.	DESCRIPTION
1	060X	8" Swing Nozzle
2	B-PT	Stream Regulator Outlet
3	001048-45	Nozzle Tip Washer
4	009538-45	Swivel Washer
5	011429-45	Swivel Sleeves (2)
6	001074-45	O-Ring
7	001661-45	Red Index-HW
8	000922-45	Lever Handle Screw
9	001660-45	Blue Index-CW
10	009749-25	Bonnet Nut
11	009754-25	B-1100 Spindle, LTC
12	000763-20	Seat
13	001258-40	Escutcheon
14	000999-45	Brass Lock Washer
15	002954-45	Shank Lock Nut
16	150A	1/4" NPT Tailpiece & Nut
17	000712-25	Escutcheon Lock Nut
18	009753-25	B-1100 Spindle, RTC
19	001638-45	Lever Handle

Product Specifications:  
 4" Deck Mount Workboard Faucet, Lever Handles, 8" Swing Nozzle & 1/2" NPT Male Inlets

Product Compliance:  
 ASME A112.18.1 / CSA B125.1  
 NSF 61 - Section 9  
 NSF 372 (Low Lead Content)  
 ANSI A117.1 (ADA)