



T&S BRASS AND BRONZE WORKS, INC.
 2 Saddleback Cove / P.O. Box 1088
 Travelers Rest, SC 29690

Model No.
B-1107

Item No.

Travelers Rest, SC: 800-476-4103 • Simi Valley, CA: 800-423-0150 • Fax: 864-834-3518 • www.tsbrass.com



ADA Compliant

This Space for Architect/Engineer Approval

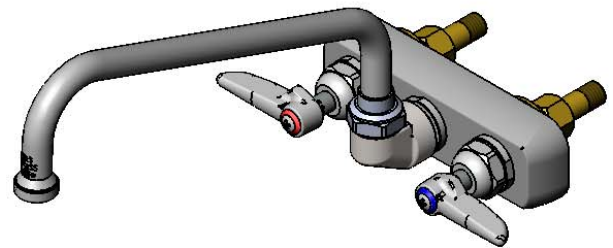
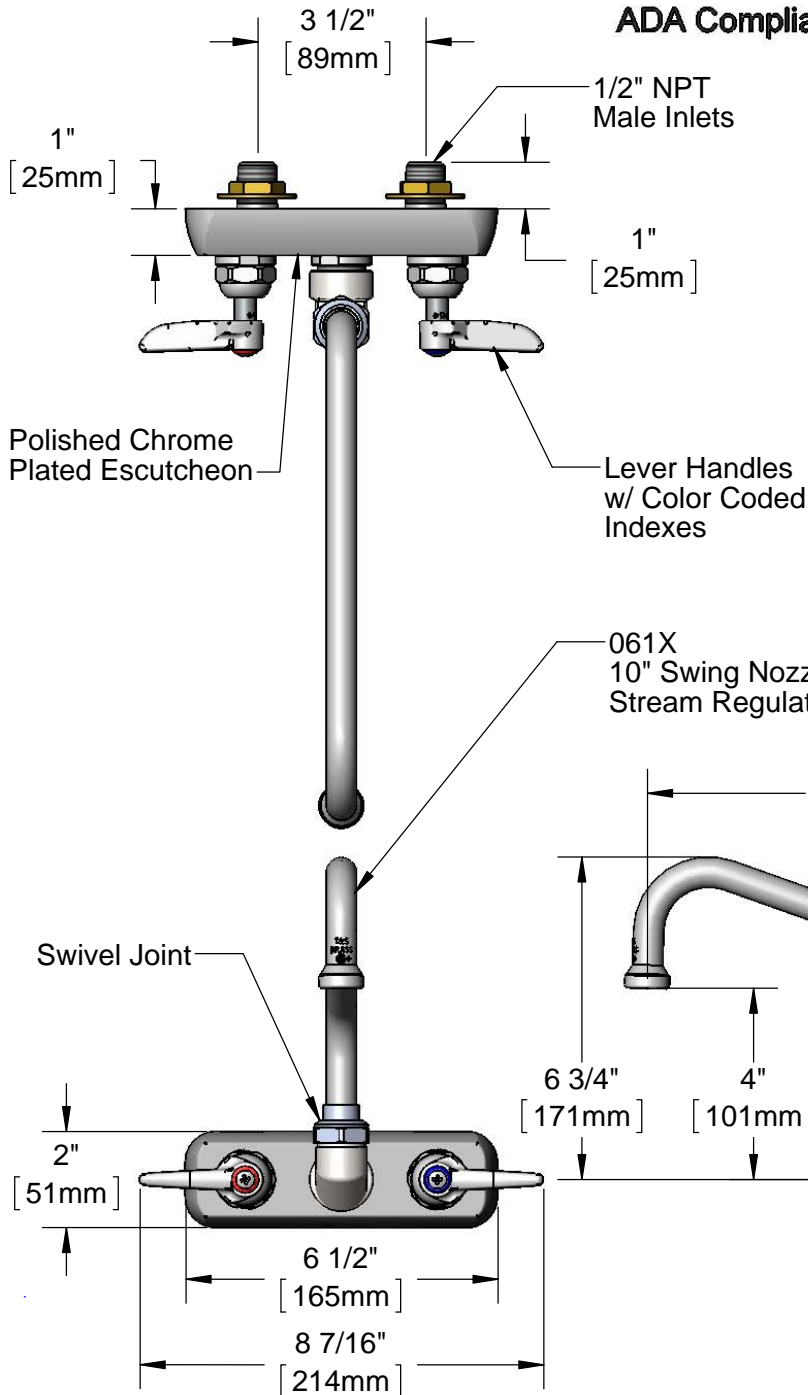
Job Name _____ Date _____

Model Specified _____ Quantity _____

Customer/Wholesaler _____

Contractor _____

Architect/Engineer _____



(2) 150A
 Optional
 Tailpiece
 & Nut for
 1/4" NPT
 Connection
 (Included)

1/4"
 [6mm]
 Maximum
 Thickness

Mounting Surface

Rough-In Requirement:
 (2) \varnothing 1" [25mm] Mounting Holes

Product Specifications:
 3 1/2" Wall Mount Workboard Mixing Faucet, Lever Handles,
 10" Swing Nozzle & 1/2" NPT Male Inlets

Drawn DHL	Checked DMH	Approved JHB
---------------------	-----------------------	------------------------

Scale: 1:4	Date: 02/21/14
----------------------	--------------------------



T&S BRASS AND BRONZE WORKS, INC.

2 Saddleback Cove / P.O. Box 1088
Travelers Rest, SC 29690

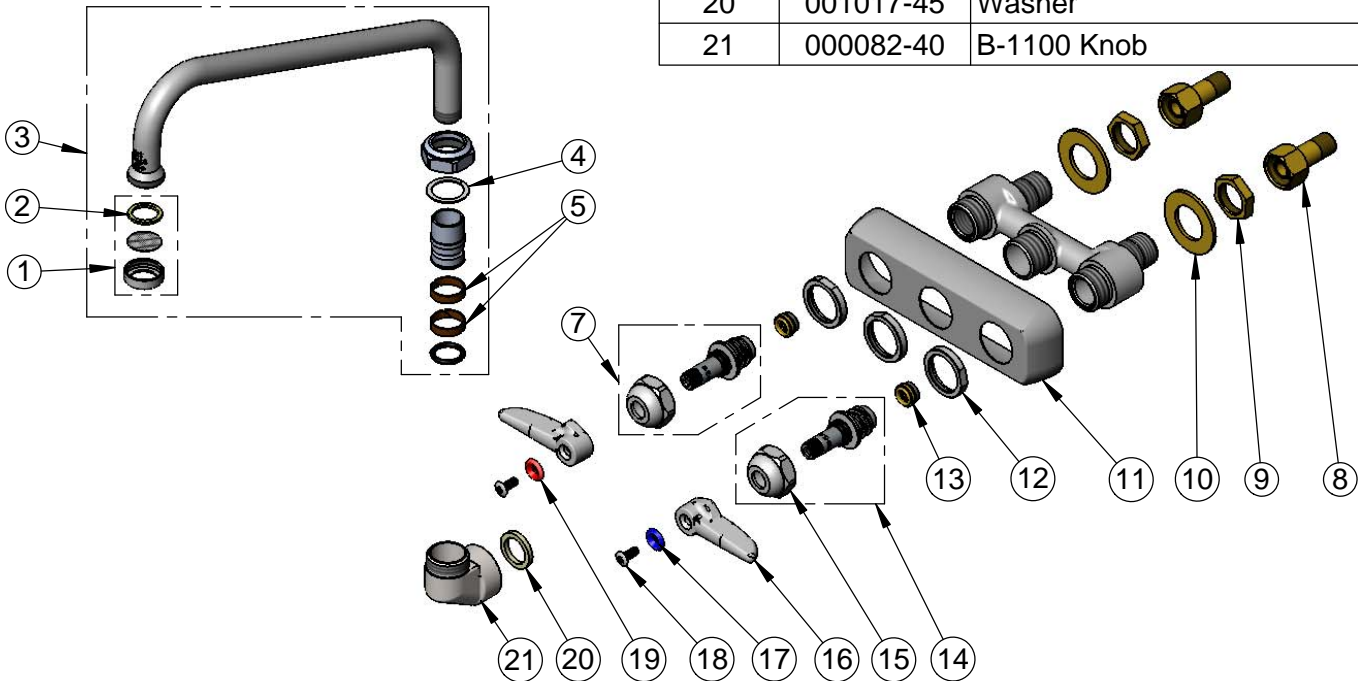
Model No.

B-1107

Item No.

Travelers Rest, SC: 800-476-4103 • Simi Valley, CA: 800-423-0150 • Fax: 864-834-3518 • www.tsbrass.com

ITEM NO.	SALES NO.	DESCRIPTION
1	B-PT	Stream Regulator Outlet
2	001048-45	Nozzle Tip Washer
3	061X	10" Swing Nozzle
4	009538-45	Swivel Washer
5	011429-45	Swivel Sleeves (2)
6	001074-45	O-Ring
7	009754-25	B-1100 Spindle Assembly, LTC
8	150A	1/4" NPT Tailpiece & Nut
9	002954-45	Shank Lock Nut
10	000999-45	Brass Lock Washer
11	001258-40	Escutcheon
12	000712-25	Escutcheon Lock Nut
13	000763-20	Seat
14	009753-25	B-1100 Spindle Assembly, RTC
15	009749-25	Bonnet Nut
16	001638-45	Lever Handle
17	001660-45	Blue Index-CW
18	000922-45	Lever Handle Screw
19	001661-45	Red Index-HW
20	001017-45	Washer
21	000082-40	B-1100 Knob



Product Specifications:

3 1/2" Wall Mount Workboard Mixing Faucet, Lever Handles,
10" Swing Nozzle & 1/2" NPT Male Inlets

Drawn

DHL

Checked

DMH

Approved

JHB

Scale:

NTS

Date:

02/21/14