



# T&S BRASS AND BRONZE WORKS, INC.

2 Saddleback Cove / P.O. Box 1088  
Travelers Rest, SC 29690

Model No.

**B-1101**

Item No.

Travelers Rest, SC: 800-476-4103 • Simi Valley, CA: 800-423-0150 • Fax: 864-834-3518 • www.tsbrass.com



**ADA Compliant**

This Space for Architect/Engineer Approval

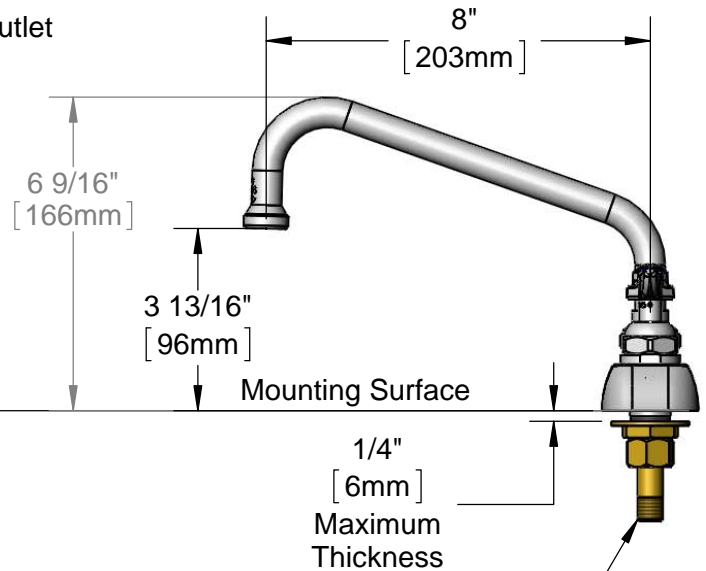
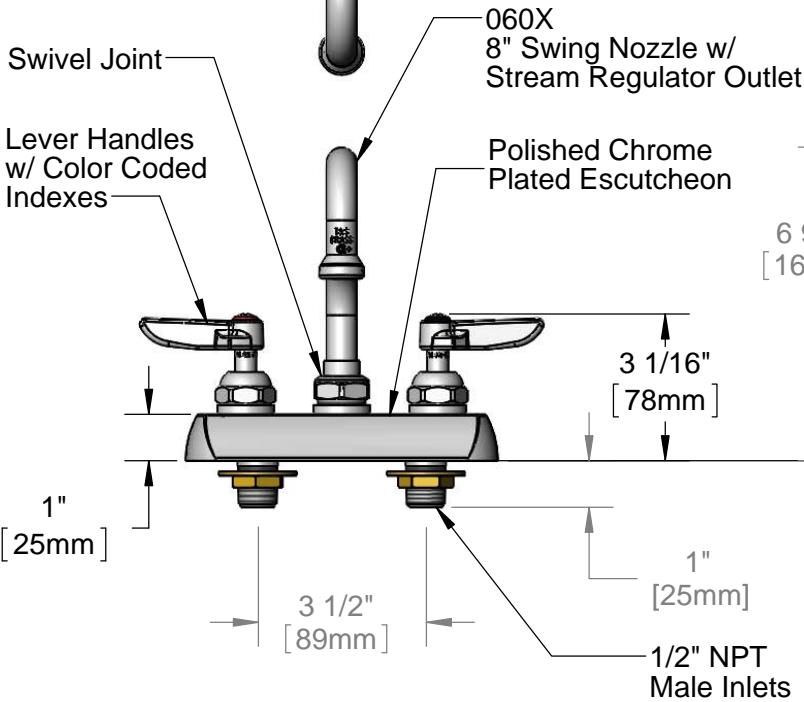
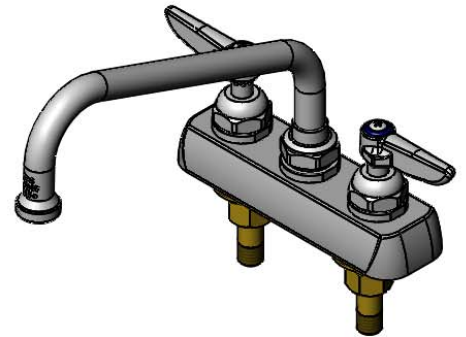
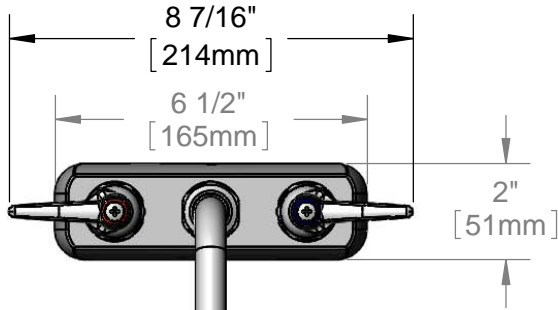
Job Name \_\_\_\_\_ Date \_\_\_\_\_

Model Specified \_\_\_\_\_ Quantity \_\_\_\_\_

Customer/Wholesaler \_\_\_\_\_

Contractor \_\_\_\_\_

Architect/Engineer \_\_\_\_\_



(2) 150A  
Optional Tailpiece & Nut  
For 1/4\"/>

Rough-In Requirement:  
(2)  $\phi$  1" [25mm] Mounting Holes

Product Specifications:  
3 1/2" Deck Mount Workboard Mixing Faucet w/ Lever Handles,  
8" Swing Nozzle & 1/2" NPT Male Inlets

Drawn <b>DHL</b>	Checked <b>DMH</b>	Approved <b>JHB</b>
Scale: <b>1:4</b>		Date: <b>02/21/14</b>

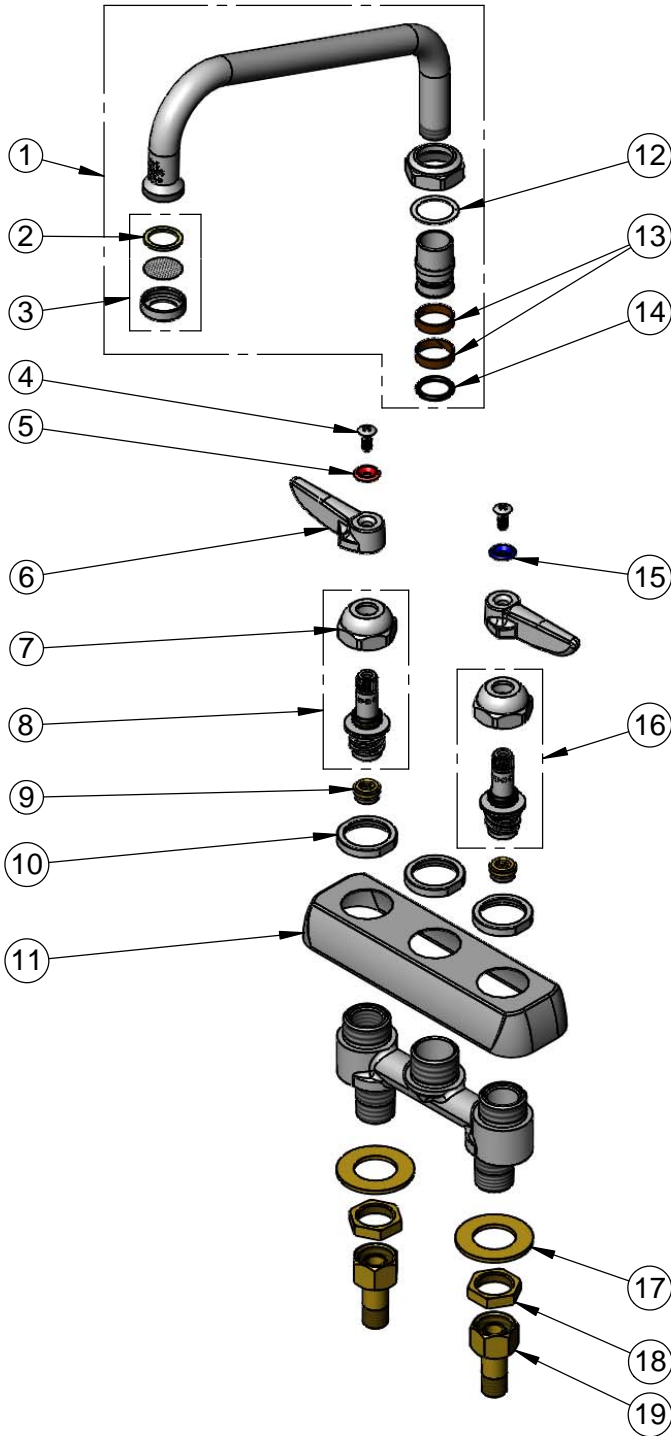


**T&S BRASS AND BRONZE WORKS, INC.**  
 2 Saddleback Cove / P.O. Box 1088  
 Travelers Rest, SC 29690

Model No.  
**B-1101**

Item No.

Travelers Rest, SC: 800-476-4103 • Simi Valley, CA: 800-423-0150 • Fax: 864-834-3518 • www.tsbrass.com



ITEM NO.	SALES NO.	DESCRIPTION
1	060X	8" Swing Nozzle
2	001048-45	Nozzle Tip Washer
3	B-PT	Stream Regulator Outlet
4	000922-45	Lever Handle Screw
5	001661-45	Red Index-HW
6	001638-45	Lever Handle
7	009749-25	Bonnet Nut
8	009753-25	B-1100 Spindle Assembly, RTC
9	000763-20	Seat
10	000712-25	Escutcheon Lock Nut
11	001258-40	Escutcheon
12	009538-45	Swivel Washer
13	011429-45	Swivel Sleeves (2)
14	001074-45	O-Ring
15	001660-45	Blue Index-CW
16	009754-25	B-1100 Spindle Assembly, LTC
17	000999-45	Brass Lock Washer
18	002954-45	Shank Lock Nut
19	150A	1/4" NPT Tailpiece & Nut

Product Specifications:  
 3 1/2" Deck Mount Workboard Mixing Faucet w/ Lever Handles,  
 8" Swing Nozzle & 1/2" NPT Male Inlets

Drawn <b>DHL</b>	Checked <b>DMH</b>	Approved <b>JHB</b>
Scale: <b>NTS</b>		Date: <b>02/21/14</b>