



# T&S BRASS AND BRONZE WORKS, INC.

2 Saddleback Cove / P.O. Box 1088  
Travelers Rest, SC 29690

Model No.

**B-0892**

Item No.

Travelers Rest, SC: 800-476-4103 • Simi Valley, CA: 800-423-0150 • Fax: 864-834-3518 • www.tsbrass.com



**ADA Compliant**

This Space for Architect/Engineer Approval

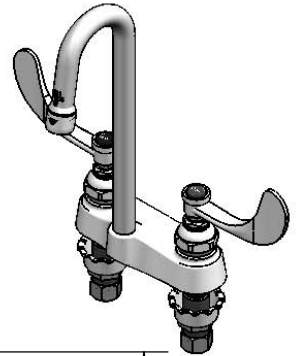
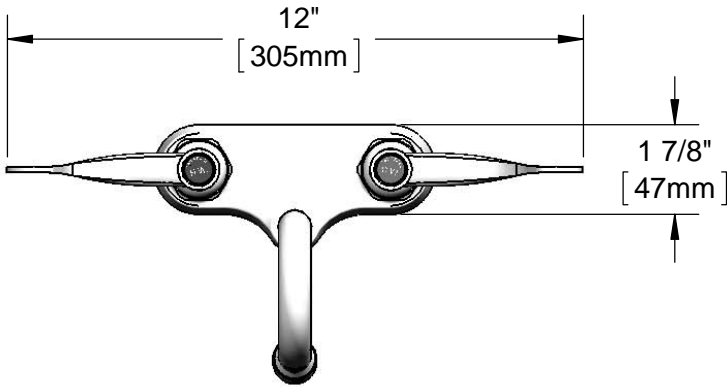
Job Name \_\_\_\_\_ Date \_\_\_\_\_

Model Specified \_\_\_\_\_ Quantity \_\_\_\_\_

Customer/Wholesaler \_\_\_\_\_

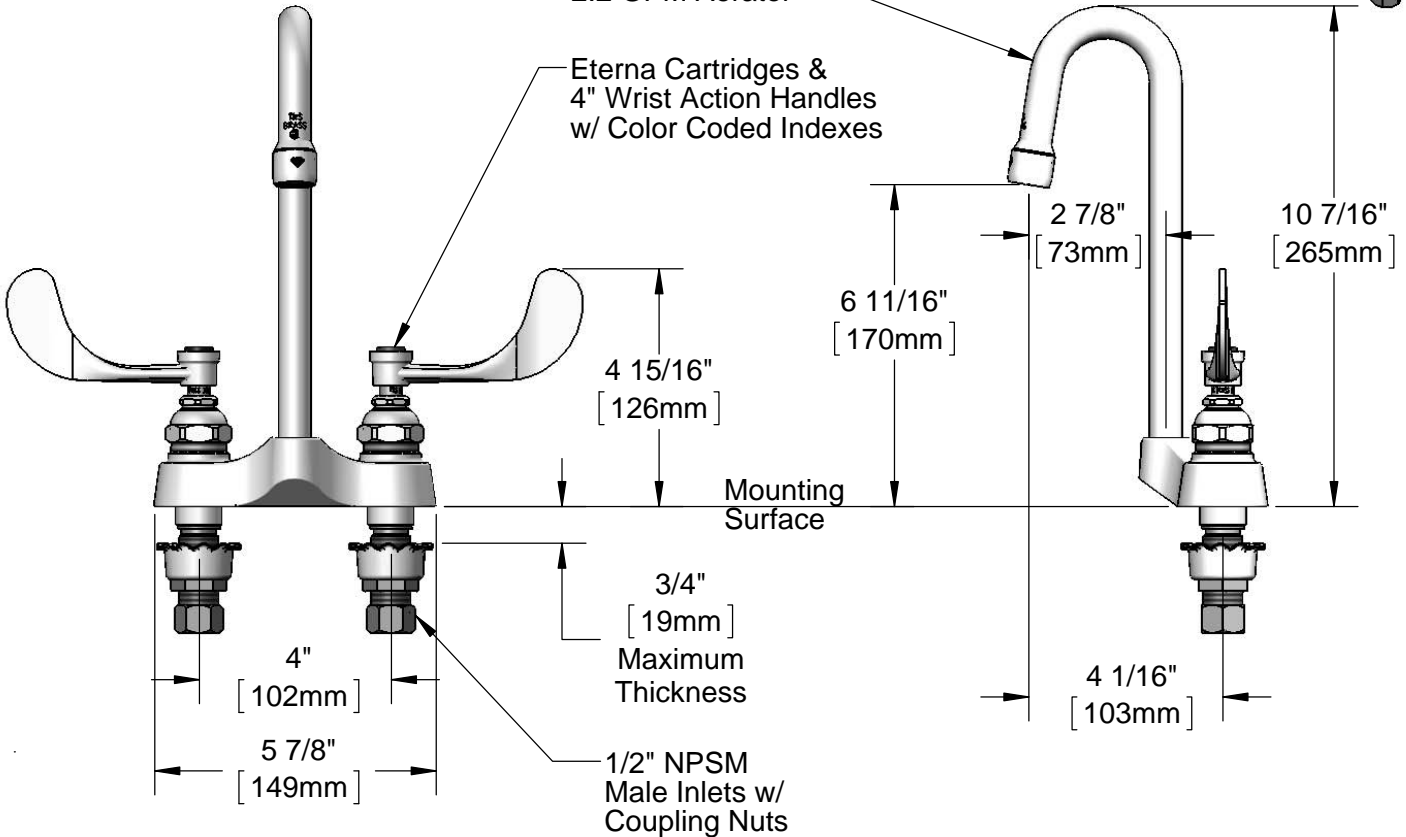
Contractor \_\_\_\_\_

Architect/Engineer \_\_\_\_\_



Rigid Gooseneck w/  
B-0199-01  
2.2 GPM Aerator

Eterna Cartridges &  
4" Wrist Action Handles  
w/ Color Coded Indexes



**Rough-In Requirement:**  
(2)  $\phi$  1 1/8" [29mm] Mounting Holes

**Product Specifications:**  
4" Centerset Deck Mount Mixing Faucet, Eterna Cartridges, 4" Wrist Action Handles, Rigid Gooseneck, 2.2 GPM Aerator & 1/2" NPSM Male Inlets w/ Coupling Nuts

**Product Compliance:**  
ASME A112.18.1 / CSA B125.1  
NSF 61 - Section 9  
NSF 372 (Low Lead Content)  
ANSI A117.1 (ADA)



# T&S BRASS AND BRONZE WORKS, INC.

2 Saddleback Cove / P.O. Box 1088  
Travelers Rest, SC 29690

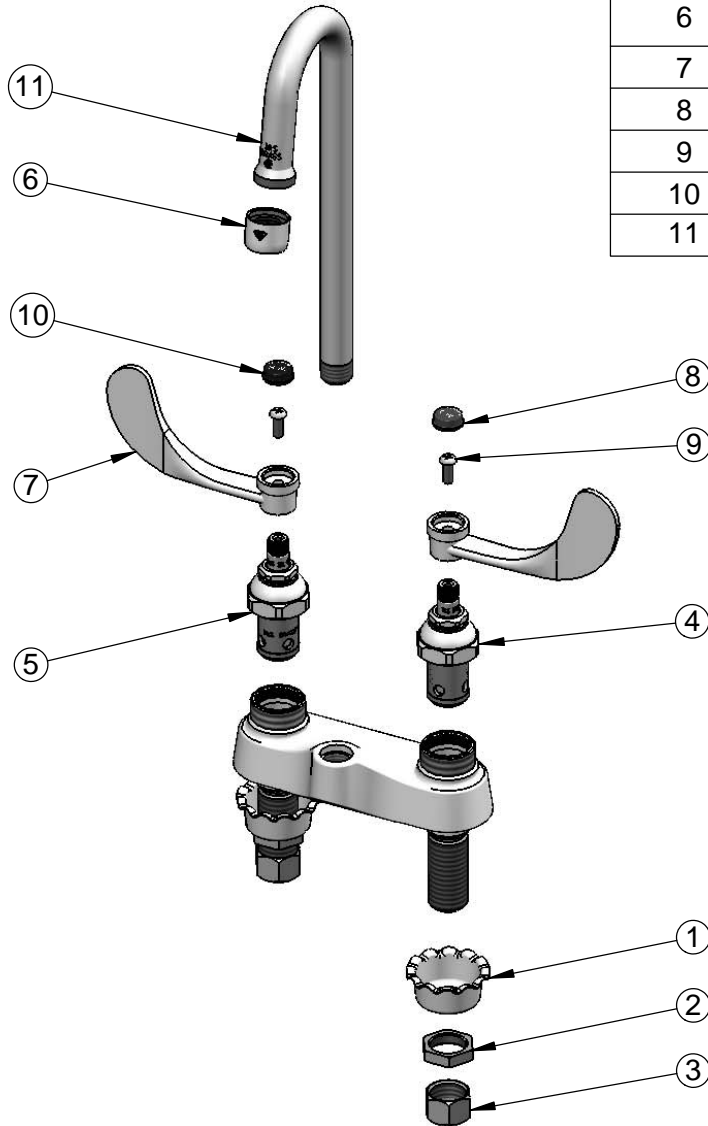
Model No.

**B-0892**

Item No.

Travelers Rest, SC: 800-476-4103 • Simi Valley, CA: 800-423-0150 • Fax: 864-834-3518 • www.tsbrass.com

ITEM NO.	SALES NO.	DESCRIPTION
1	001000-45	Rosette Washer
2	002954-45	Shank Lock Nut
3	000958-20	Coupling Nut
4	006009-40	Eterna Cartridge, LTC (Teflon)
5	006010-40	Eterna Cartridge, RTC (Teflon)
6	B-0199-01	2.2 GPM Aerator, 55/64-27 UN Female
7	B-WH4	4" Wrist Action Handle
8	001686-45	Blue Index - CW
9	000925-45	Lab Handle Screw
10	001194-45	Red Index - HW
11	005028-40	Rigid Gooseneck



**Product Specifications:**

4" Centerset Deck Mount Mixing Faucet, Eterna Cartridges, 4" Wrist Action Handles, Rigid Gooseneck, 2.2 GPM Aerator & 1/2" NPSM Male Inlets w/ Coupling Nuts

**Product Compliance:**

ASME A112.18.1 / CSA B125.1  
NSF 61 - Section 9  
NSF 372 (Low Lead Content)  
ANSI A117.1 (ADA)