



T&S BRASS AND BRONZE WORKS, INC.
 2 Saddleback Cove / P.O. Box 1088
 Travelers Rest, SC 29690

Model No.
B-0709-JJ

Item No.

Travelers Rest, SC: 800-476-4103 • Simi Valley, CA: 800-423-0150 • Fax: 864-834-3518 • www.tsbrass.com

This Space for Architect/Engineer Approval

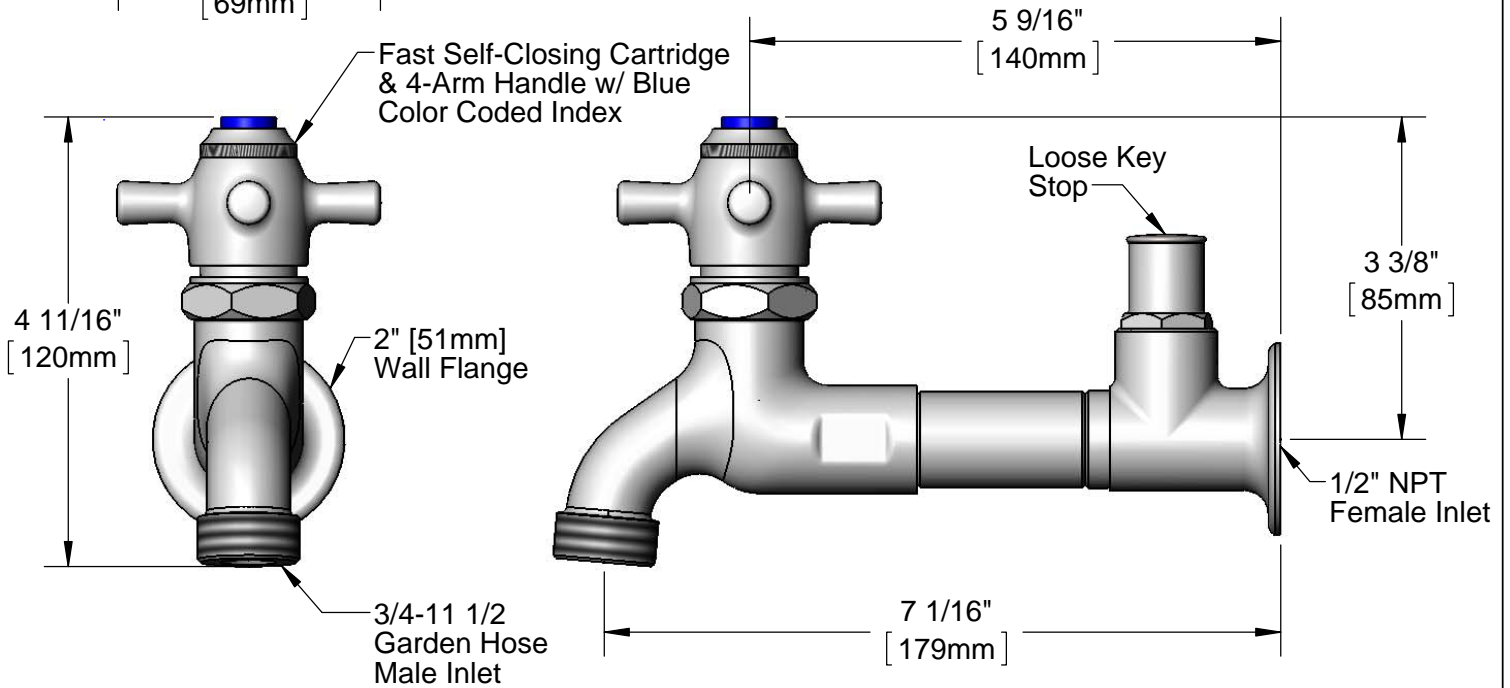
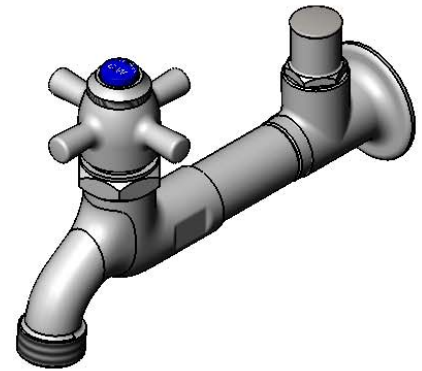
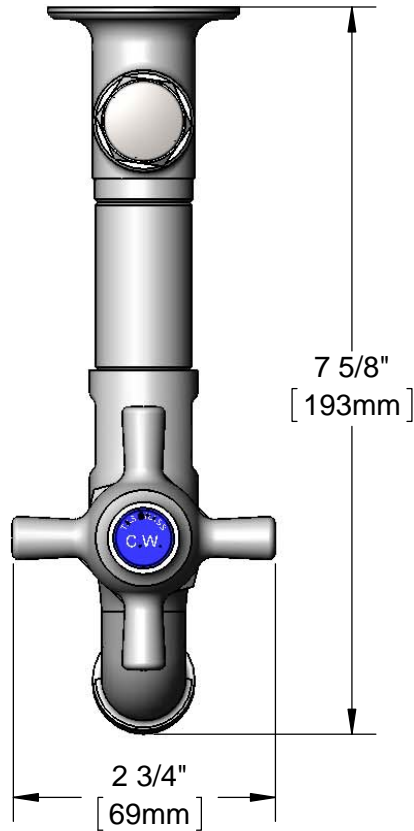
Job Name _____ Date _____

Model Specified _____ Quantity _____

Customer/Wholesaler _____

Contractor _____

Architect/Engineer _____



Product Specifications:
 Fast Self-Closing Hose Bibb Faucet, 4-Arm Handle w/ Blue Color Coded Index,
 Garden Hose Male Outlet, 1/2" NPT Female Inlet w/ Extension

Product Compliance:
 ASME A112.18.1 / CSA B125.1
 NSF 61 - Section 9
 NSF 372 (Low Lead Content)



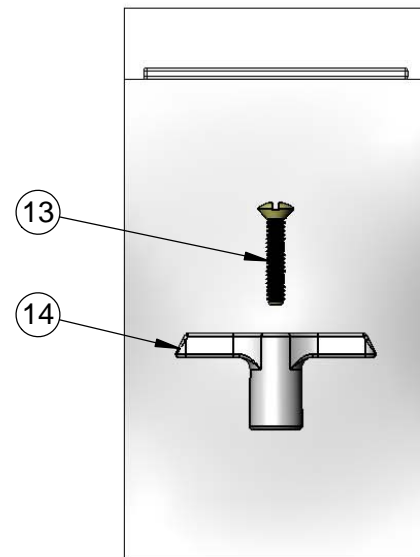
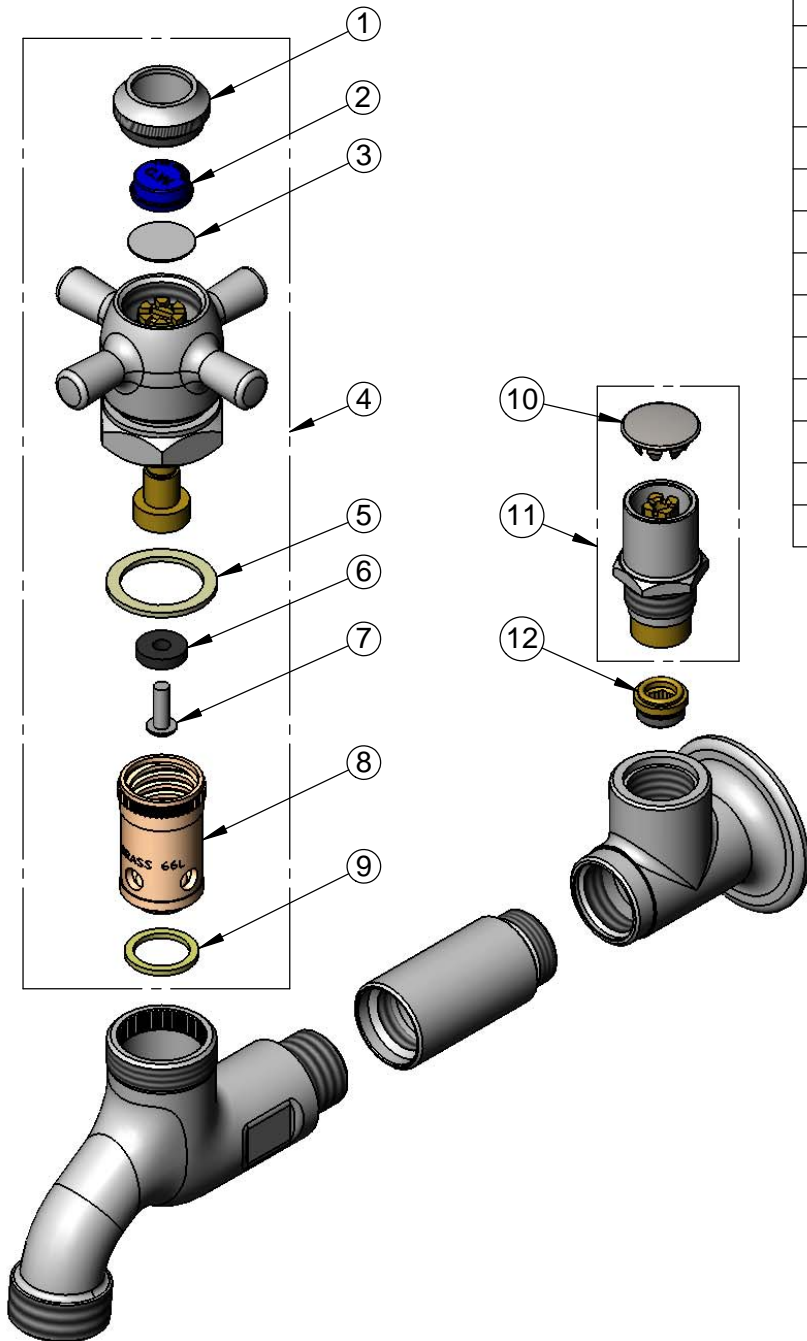
T&S BRASS AND BRONZE WORKS, INC.
 2 Saddleback Cove / P.O. Box 1088
 Travelers Rest, SC 29690

Model No.
B-0709-JJ

Item No.

Travelers Rest, SC: 800-476-4103 • Simi Valley, CA: 800-423-0150 • Fax: 864-834-3518 • www.tsbrass.com

ITEM NO.	SALES NO.	DESCRIPTION
1	000674-40	Self Close Index Ring
2	001686-45	Blue CW Index
3	001013-45	Self Close Handle Disc
4	007900-40	Fast Self-Closing Cold Cartridge
5	002601-45	Washer
6	001092-45	Seat Washer
7	000933-45	B-1100 Seat Washer Screw
8	000789-20	Removable Insert, LH Thread
9	001022-45	Washer
10	001605-45	Cap
11	002892-40	Spindle w/ Cap
12	000763-20	Seat
13	002432-45	Loose Key Handle Screw
14	001802-45	Supply Stop Tee Handle



Product Specifications:
 Fast Self-Closing Hose Bibb Faucet, 4-Arm Handle w/ Blue Color Coded Index,
 Garden Hose Male Outlet, 1/2" NPT Female Inlet w/ Extension

Product Compliance:
 ASME A112.18.1 / CSA B125.1
 NSF 61 - Section 9
 NSF 372 (Low Lead Content)