



# T&S BRASS AND BRONZE WORKS, INC.

2 Saddleback Cove / P.O. Box 1088  
Travelers Rest, SC 29690

Model No.

**B-0610**

Item No.

Travelers Rest, SC: 800-476-4103 • Simi Valley, CA: 800-423-0150 • Fax: 864-834-3518 • www.tsbrass.com

This Space for Architect/Engineer Approval

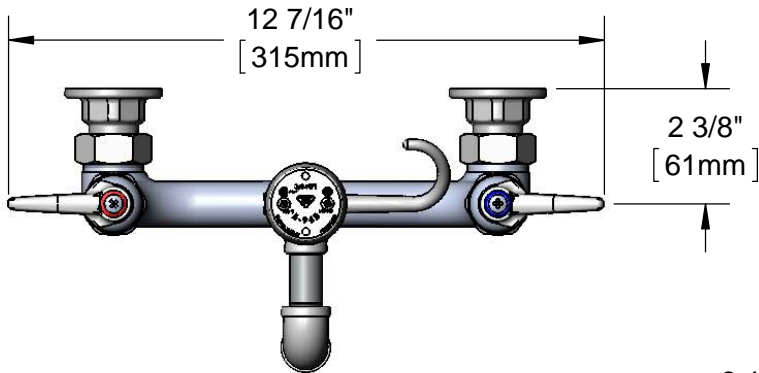
Job Name \_\_\_\_\_ Date \_\_\_\_\_

Model Specified \_\_\_\_\_ Quantity \_\_\_\_\_

Customer/Wholesaler \_\_\_\_\_

Contractor \_\_\_\_\_

Architect/Engineer \_\_\_\_\_



B-0968  
3/8" NPT  
Vacuum  
Breaker

Eterna Cartridges w/  
Spring Checks &  
Lever Handles w/  
Color Coded Indexes

Finger Hook

3 1/2"  
[88mm]

Hook Nozzle  
w/ Self-Closing  
Valve

3"  
[76mm]

3 11/16"  
[94mm]

4 7/16"  
[113mm]

8"  
[203mm]

Adjustable From  
7 3/4" to 8 1/4"  
[197mm to 210mm]

Ø 2" [51mm]  
Flanges w/  
1/2" NPT  
Female Inlets

68" Flexible  
Stainless  
Steel Hose

### Product Specifications:

Kettle & Pot Filler Wall Mount Faucet, Eterna Cartridges w/ Spring Checks, Lever Handles, 3/8" NPT Vacuum Breaker, 68" Flexible Stainless Steel Hose, Hook Nozzle & 1/2" NPT Female Inlets

### Product Compliance:

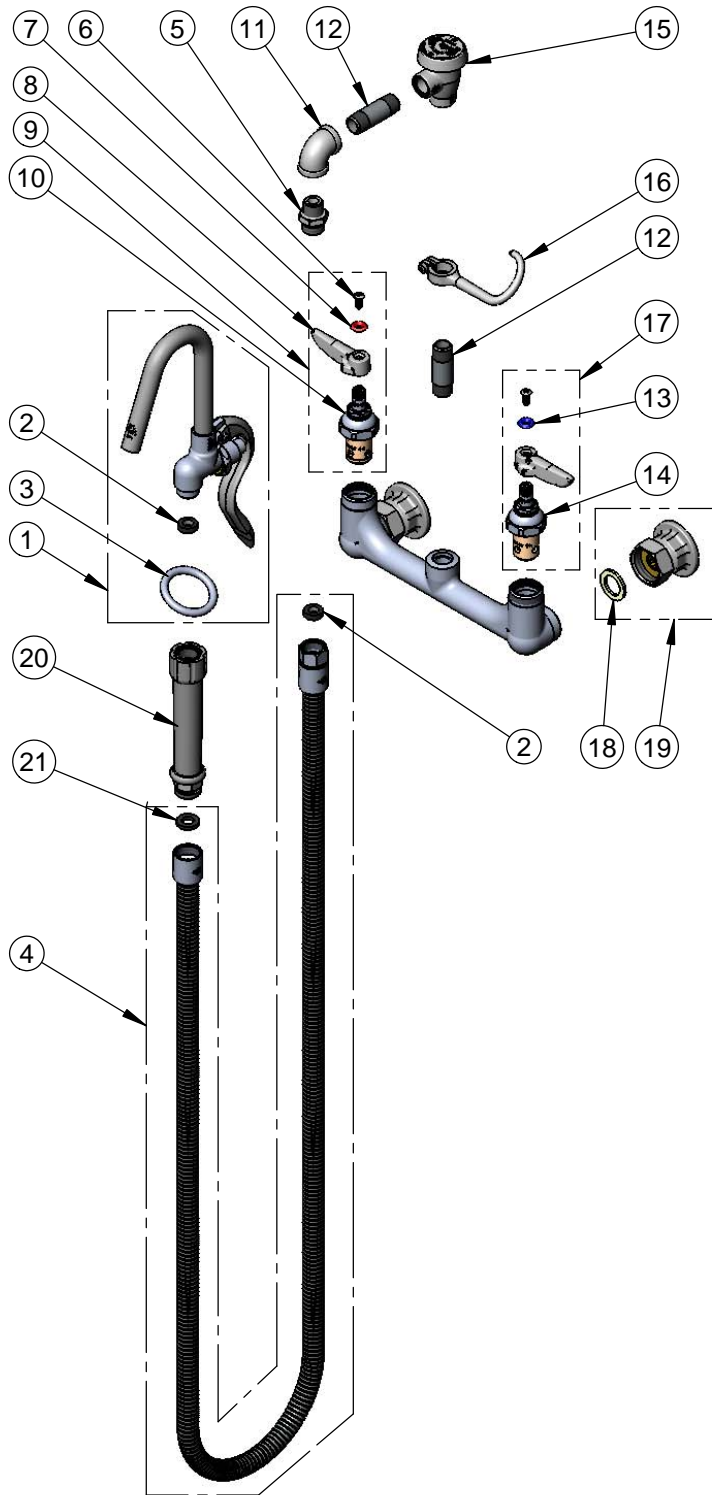
ASME A112.18.1 / CSA B125.1  
NSF 61 - Section 9  
NSF 372 (Low Lead Content)  
ASSE 1001



**T&S BRASS AND BRONZE WORKS, INC.**  
 2 Saddleback Cove / P.O. Box 1088  
 Travelers Rest, SC 29690

Model No.  
**B-0610**  
 Item No.

Travelers Rest, SC: 800-476-4103 • Simi Valley, CA: 800-423-0150 • Fax: 864-834-3518 • www.tsbrass.com



| ITEM NO. | SALES NO.  | DESCRIPTION  |
|----------|------------|--|
| 1        | 002851-40  | Hook Nozzle & Spray Valve                                    |
| 2        | 010476-45  | #27 Washer   |
| 3        | 000907-45  | Spray Valve Hold Down Ring                                   |
| 4        | B-0068-H2A | 68" Flexible Stainless Steel Hose, Less Handle               |
| 5        | 053A       | Adapter, 3/8" NPT Male                                       |
| 6        | 000922-45  | Lever Handle Screw   |
| 7        | 001661-45  | Red Index-HW   |
| 8        | 001638-45  | Lever Handle   |
| 9        | 002712-40  | Eterna Cartridge, RTC w/ Spring Check, Handle, Index & Screw |
| 10       | 012443-40  | Eterna Cartridge, RTC w/ Spring Check                        |
| 11       | 001355-40  | Elbow, 3/8 NPT   |
| 12       | 000357-40  | Nipple, 3/8" NPT x 2"  |
| 13       | 001660-45  | Blue Index-CW  |
| 14       | 012442-40  | Eterna Cartridge, LTC w/ Spring Check                        |
| 15       | B-0968     | 3/8" NPT Vacuum Breaker                                      |
| 16       | 004R       | Finger Hook  |
| 17       | 002711-40  | Eterna Cartridge, LTC w/ Spring Check, Handle, Index & Screw |
| 18       | 001019-45  | Coupling Nut Washer  |
| 19       | 00AA       | 1/2" NPT Female Eccentric Flange                             |
| 20       | 002987-40  | Grip Handle  |
| 21       | 001014-45  | Washer, B-0100 Hose Barrel                                   |

**Product Specifications:**

Kettle & Pot Filler Wall Mount Faucet, Eterna Cartridges w/ Spring Checks, Lever Handles, 3/8" NPT Vacuum Breaker, 68" Flexible Stainless Steel Hose, Hook Nozzle & 1/2" NPT Female Inlets

**Product Compliance:**

ASME A112.18.1 / CSA B125.1  
 NSF 61 - Section 9  
 NSF 372 (Low Lead Content)  
 ASSE 1001