



T&S BRASS AND BRONZE WORKS, INC.
 2 Saddleback Cove / P.O. Box 1088
 Travelers Rest, SC 29690



REG. #A2601
 ISO #9001

Model No.
B-0592-CR

Item No.

Travelers Rest, SC: 800-476-4136 | San Jose Valley, CA: 800-423-0150 | Fax: 864-834-3518 | www.tsbrass.com

This Space for Architect/Engineer Approval

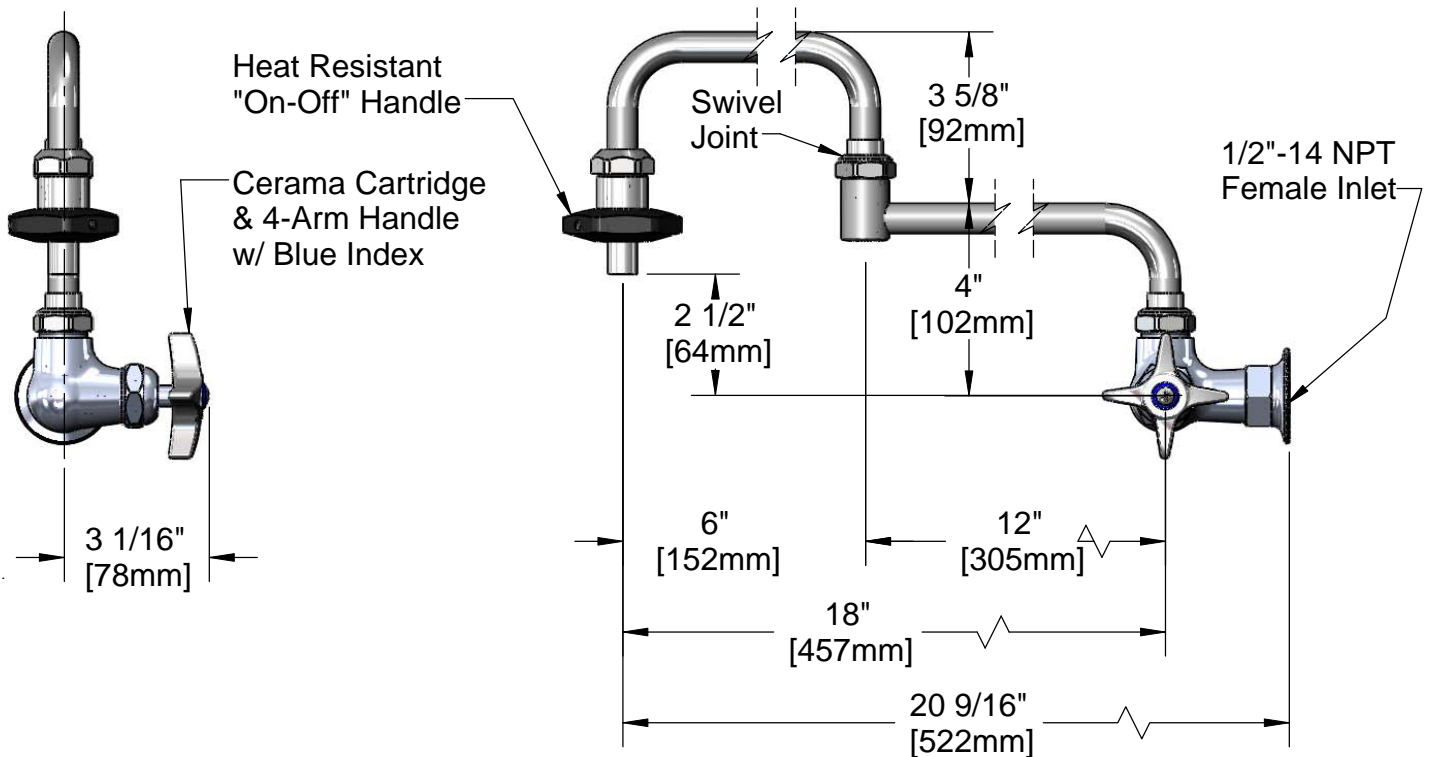
Job Name _____ Date _____

Model Specified _____ Quantity _____

Customer/Wholesaler _____

Contractor _____

Architect/Engineer _____



Product Specifications:

Pot Filler Wall Mount Faucet, Single Control w/ 18" Double Swing Joint Nozzle, Heat Resistant Handle, Cerama Cartridge, 4-Arm Handle & 1/2" NPT Female Inlet

Drawn KJG	Checked JRM	Approved JHB
Scale: 1:4		Date: 09/16/10



T&S BRASS AND BRONZE WORKS, INC.

2 Saddleback Cove / P.O. Box 1088
Travelers Rest, SC 29690



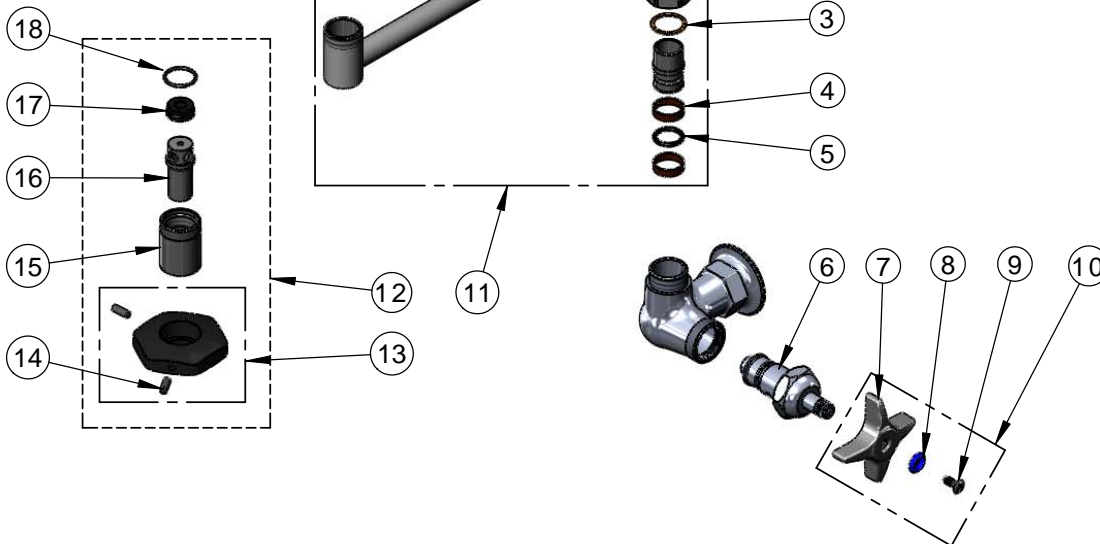
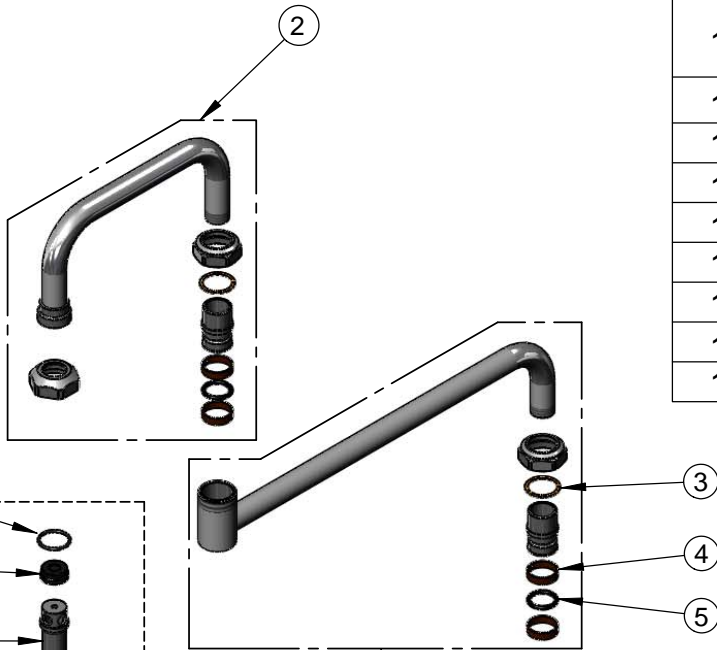
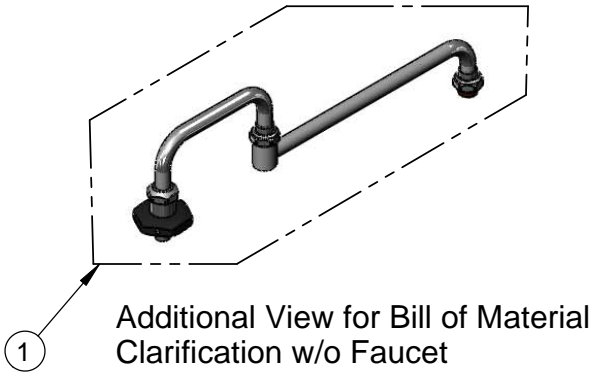
REG. #A2601
ISO #9001

Model No.

B-0592-CR

Item No.

Travelers Rest, SC: 800-476-4103 Simi Valley, CA: 800-423-0150 Fax: 864-834-3518 www.tsbrass.com



ITEM NO.	SALES NO.	DESCRIPTION
1	002848-40	B-0580 Double Joint Nozzle Asm
2	002870-40	6" Front Nozzle Asm
3	009538-45	Swivel Washer
4	011429-45	Swivel Sleeve (2)
5	001074-45	O-Ring
6	011278-25	Cerama Cartridge RTC
7	002521-45	4-Arm Handle
8	001660-45	Blue Index-CW
9	000922-45	Lever Handle Screw
10	006537-40	Handle w/ Blue Index & Screw
11	002871-40	12" Back Nozzle Asm
12	035A	Outlet Assembly
13	001126-20	B-0580 Black Handle
14	000936-45	Handle Set Screw
15	000587-25	Spout Body
16	001498-25	Spout
17	001089-45	Seal
18	003426-45	O-Ring

Product Specifications:

Pot Filler Wall Mount Faucet, Single Control w/ 18" Double Swing Joint Nozzle, Heat Resistant Handle, Cerama Cartridge, 4-Arm Handle & 1/2" NPT Female Inlet

Drawn KJG	Checked JRM	Approved JHB
Scale: NTS		Date: 09/16/10