



T&S BRASS AND BRONZE WORKS, INC.

2 Saddleback Cove / P.O. Box 1088
Travelers Rest, SC 29690

Model No.

B-0430

Item No.

Travelers Rest, SC: 800-476-4103 • Simi Valley, CA: 800-423-0150 • Fax: 864-834-3518 • www.tsbrass.com

This Space for Architect/Engineer Approval

Job Name _____ Date _____

Model Specified _____ Quantity _____

Customer/Wholesaler _____

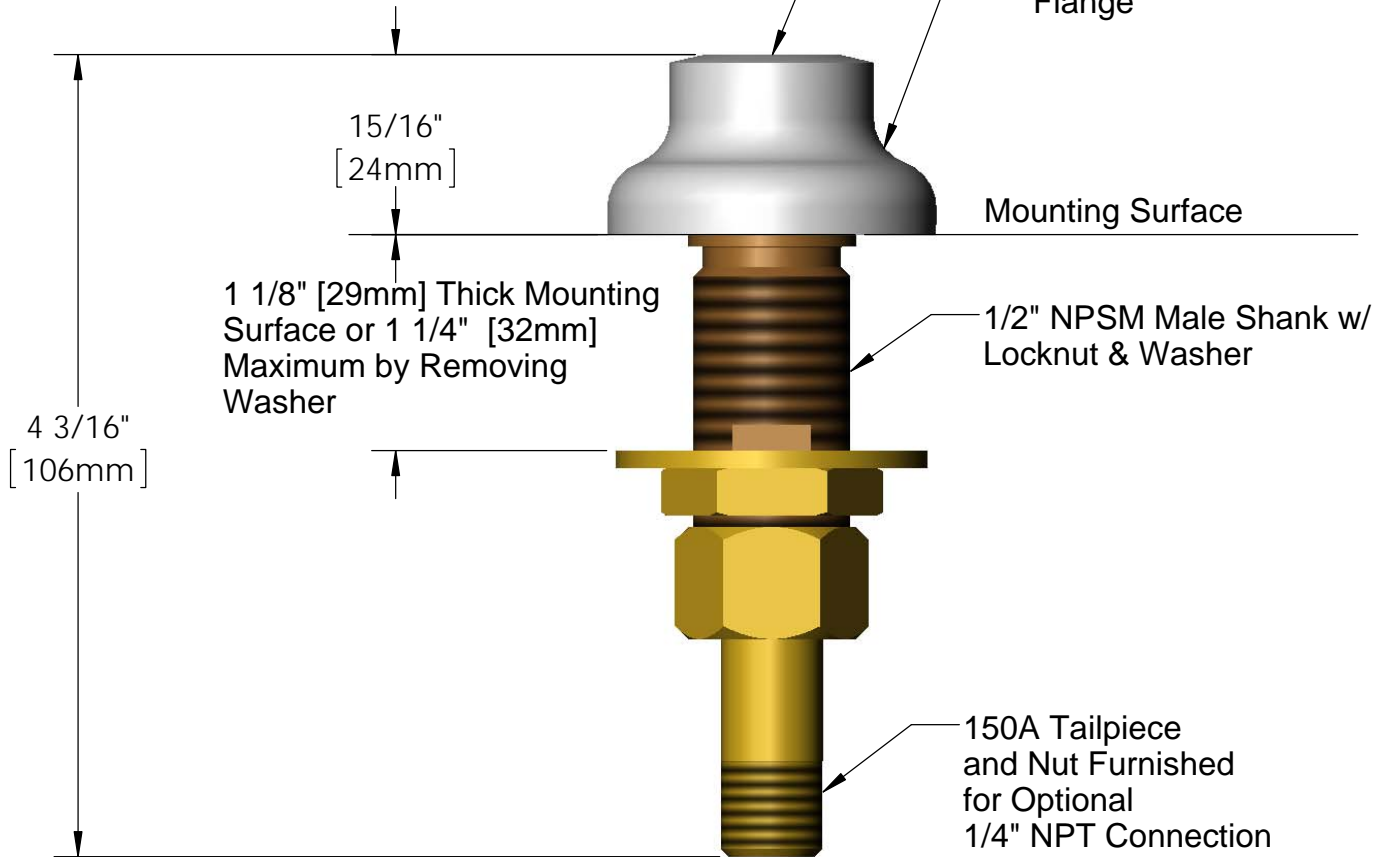
Contractor _____

Architect/Engineer _____



3/8" NPT Female Outlet.
Accepts Standard T&S
Rigid Goosenecks & 3/8"
NPT Risers

Ø 1 11/16"
[43mm]
Rigid Deck
Flange



Note: Rough-In Requirement
Ø 1" [25mm] Mounting Hole

Product Specifications:
Ø 1 11/16" Rigid Base Flange 3/8" NPT Female Outlet

Drawn DHL	Checked DMH	Approved JHB
Scale: 1:1		Date: 03/02/12



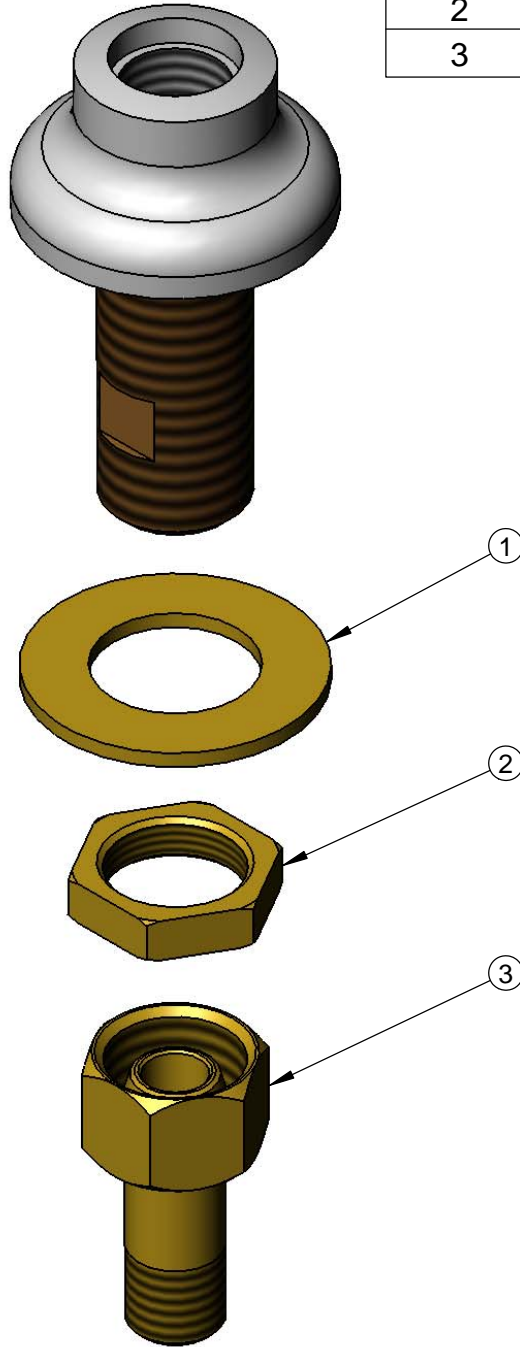
T&S BRASS AND BRONZE WORKS, INC.
 2 Saddleback Cove / P.O. Box 1088
 Travelers Rest, SC 29690

Model No.
B-0430

Item No.

Travelers Rest, SC: 800-476-4103 • Simi Valley, CA: 800-423-0150 • Fax: 864-834-3518 • www.tsbrass.com

ITEM NO.	SALES NO.	DESCRIPTION
1	000999-45	Brass Lock Washer
2	002954-45	Shank Lock Nut
3	150A	Bag of (1) Tailpiece & (1) Nut



Product Specifications:
 Ø 1 11/16" Rigid Base Flange 3/8" NPT Female Outlet

Drawn DHL	Checked DMH	Approved JHB
Scale: NTS		Date: 03/02/12