



T&S BRASS AND BRONZE WORKS, INC.

2 Saddleback Cove / P.O. Box 1088
Travelers Rest, SC 29690

Model No.

B-0301

Item No.

Travelers Rest, SC: 800-476-4103 • Simi Valley, CA: 800-423-0150 • Fax: 864-834-3518 • www.tsbrass.com



ADA Compliant

This Space for Architect/Engineer Approval

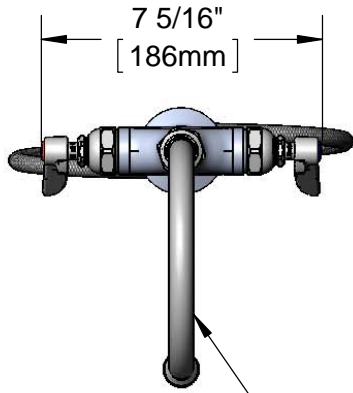
Job Name _____ Date _____

Model Specified _____ Quantity _____

Customer/Wholesaler _____

Contractor _____

Architect/Engineer _____

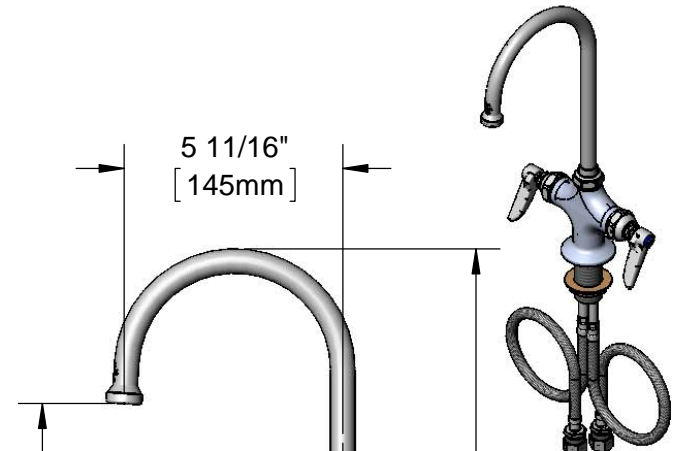


7 5/16"

[186mm]

133X Swivel Gooseneck w/
Stream Regulator Outlet

Eterna Cartridges &
Lever Handles w/
Color Coded Indexes



5 11/16"

[145mm]

13 1/2"

[343mm]

9 1/2"

[241mm]

Mounting Surface

1 1/4"

[32mm]

Maximum
Thickness

Ø2 1/4"

[57mm]

Flange

2 5/16"

[58mm]

18" Flexible
Stainless Steel
Supply Hoses

Compression Fittings
for 5/8" O.D. Copper Tubing
(Remove Compression Nut
for 1/2" NPSM Male)

Rough-In Requirement:
Ø 1 1/2" [38mm] Mounting Hole

Product Specifications:

Single Hole Deck Mount Mixing Faucet, Eterna Cartridges, Lever Handles, Swivel Gooseneck w/ Stream Regulator Outlet, 18" Flexible Stainless Steel Supply Hoses w/ 1/2" NPSM Male Inlets

Product Compliance:

ASME A112.18.1 / CSA B125.1
NSF 61 - Section 9
NSF 372 (Low Lead Content)
ANSI A117.1 (ADA)



T&S BRASS AND BRONZE WORKS, INC.

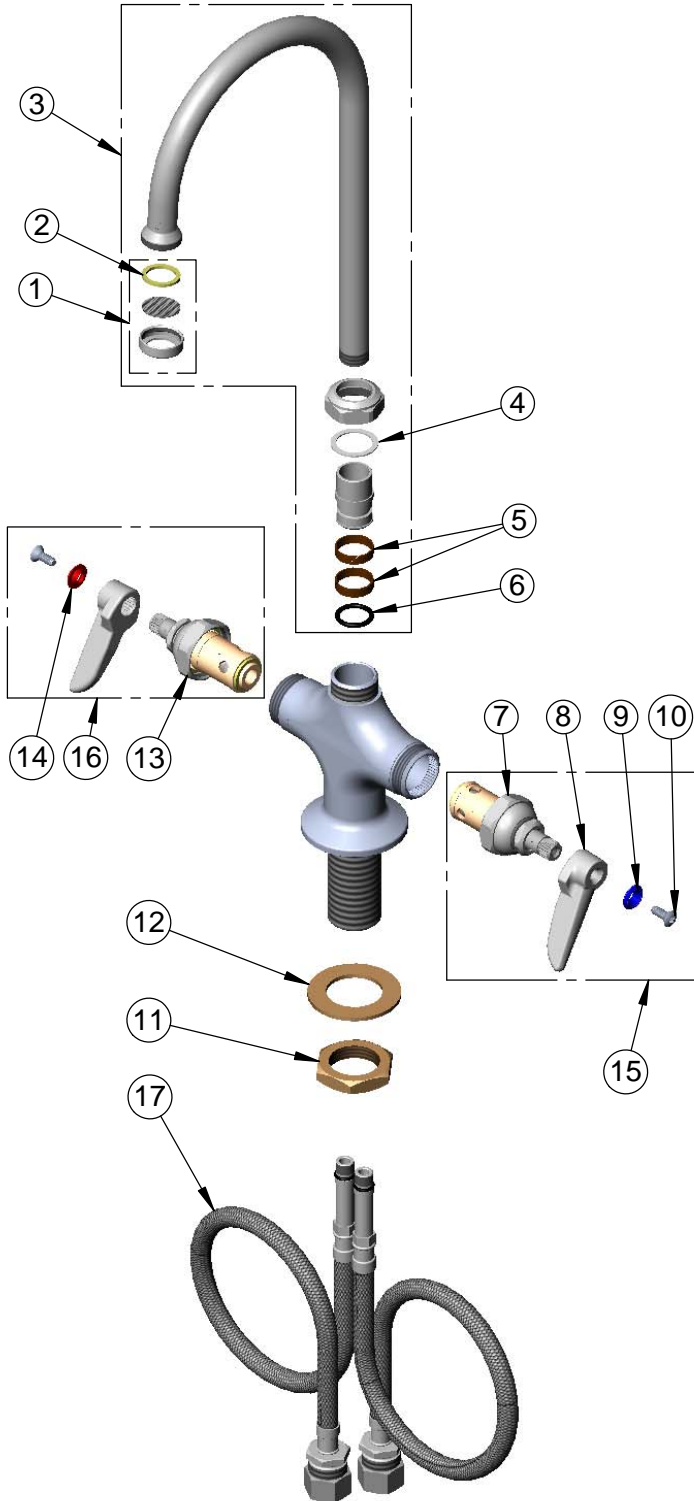
2 Saddleback Cove / P.O. Box 1088
Travelers Rest, SC 29690

Model No.

B-0301

Item No.

Travelers Rest, SC: 800-476-4103 • Simi Valley, CA: 800-423-0150 • Fax: 864-834-3518 • www.tsbrass.com



ITEM NO.	SALES NO.	DESCRIPTION
1	B-PT	Stream Regulator Outlet
2	001048-45	Nozzle Tip Washer
3	133X	Swivel Gooseneck
4	009538-45	Swivel Washer
5	011429-45	Swivel Sleeves (2)
6	001074-45	O-Ring
7	005959-40	Eterna Cartridge, LTC
8	001638-45	Lever Handle
9	001660-45	Blue Index-CW
10	000922-45	Lever Handle Screw
11	000965-45	Lock Nut
12	002290-45	Lock Washer
13	005960-40	Eterna Cartridge, RTC
14	001661-45	Red Index-HW
15	002713-40	Eterna Cartridge, LTC w/ Handle, Index & Screw
16	002714-40	Eterna Cartridge, RTC w/ Handle, Index & Screw
17	012534-45	18" Flexible Supply Hose (2)

Product Specifications:

Single Hole Deck Mount Mixing Faucet, Eterna Cartridges, Lever Handles, Swivel Gooseneck w/ Stream Regulator Outlet, 18" Flexible Stainless Steel Supply Hoses w/ 1/2" NPSM Male Inlets

Product Compliance:

ASME A112.18.1 / CSA B125.1
NSF 61 - Section 9
NSF 372 (Low Lead Content)
ANSI A117.1 (ADA)