



T&S BRASS AND BRONZE WORKS, INC.

2 Saddleback Cove / P.O. Box 1088
Travelers Rest, SC 29690

Model No.

B-0300

Item No.

Travelers Rest, SC: 800-476-4103 • Simi Valley, CA: 800-423-0150 • Fax: 864-834-3518 • www.tsbrass.com



ADA Compliant

This Space for Architect/Engineer Approval

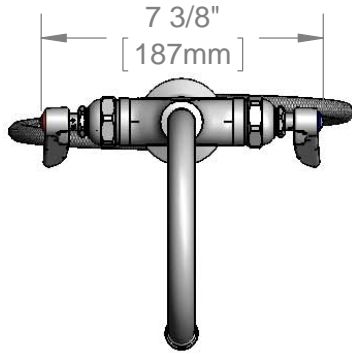
Job Name _____ Date _____

Model Specified _____ Quantity _____

Customer/Wholesaler _____

Contractor _____

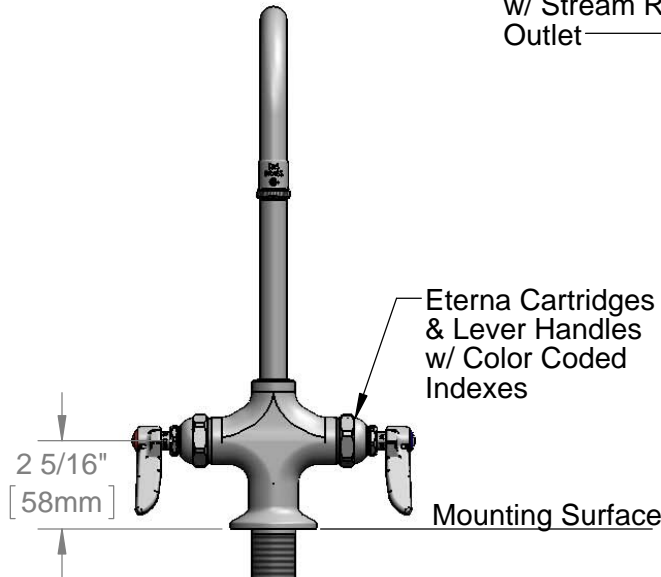
Architect/Engineer _____



7 3/8"
[187mm]



120X
5 1/2" Rigid Gooseneck
w/ Stream Regulator
Outlet



2 5/16"
[58mm]

Eterna Cartridges
& Lever Handles
w/ Color Coded
Indexes

Mounting Surface

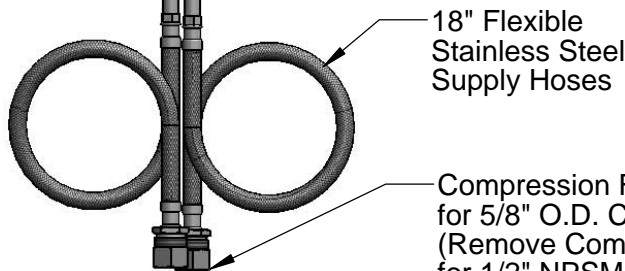


8 9/16"
[218mm]

5 1/2"
[140mm]

13 5/8"
[346mm]

Ø 2 1/4" [57mm] Flange
w/ Ø 1 1/8" [29mm] Shaft



18" Flexible
Stainless Steel
Supply Hoses

Compression Fittings
for 5/8" O.D. Copper Tubing
(Remove Compression Nut
for 1/2" NPSM Male)

1 3/8"
[35mm]
Maximum
Thickness

Rough-In Requirement:
Ø 1 1/2" [38mm] Mounting Hole

Product Specifications:

Single Hole Deck Mount Mixing Faucet, Eterna Cartridges,
Lever Handles, 5 1/2" Rigid Gooseneck & 18" Flexible Stainless Steel
Supply Hoses w/ 1/2" NPSM Male Inlets

Product Compliance:

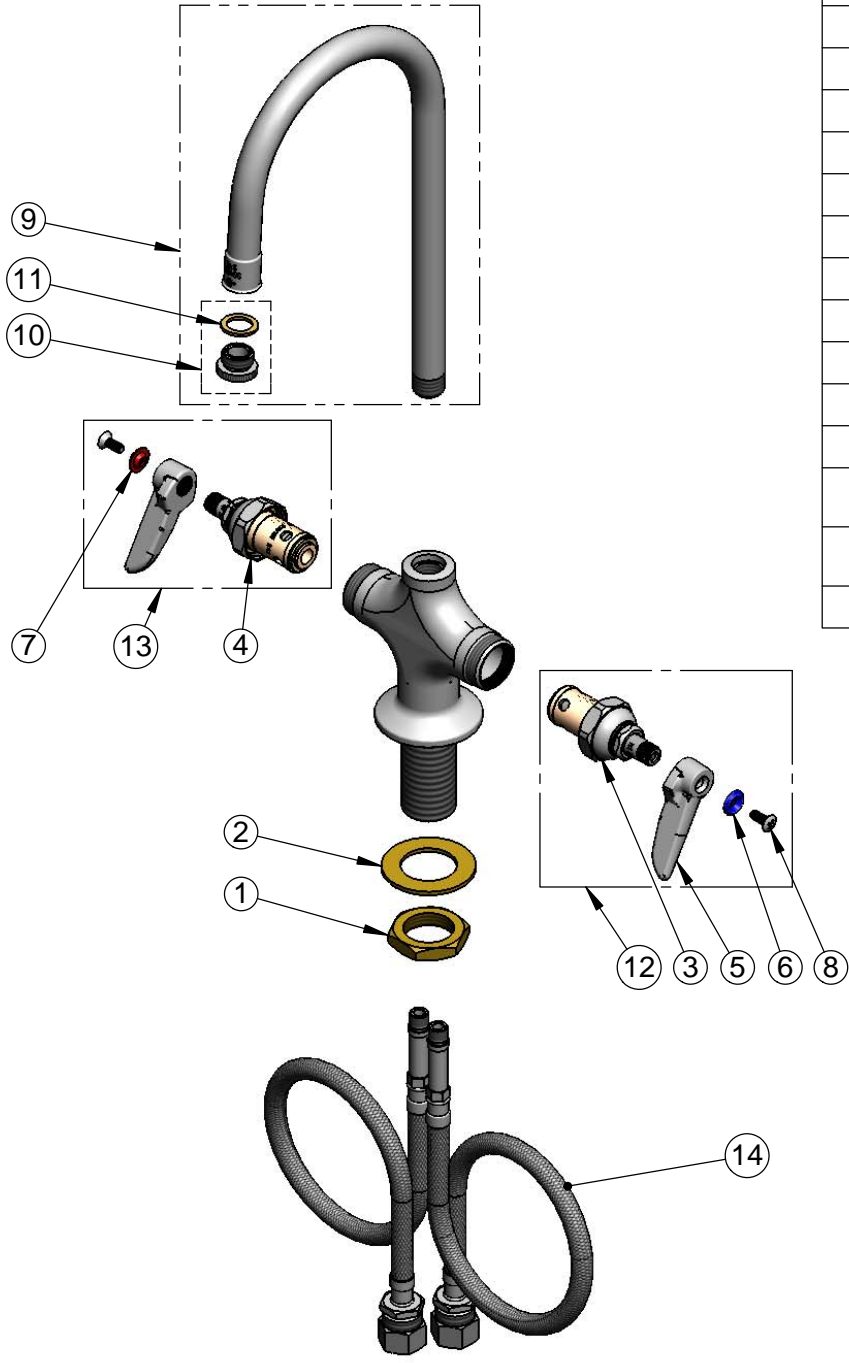
ASME A112.18.1 / CSA B125.1
NSF 61 - Section 9
NSF 372 (Low Lead Content)
ANSI A117.1 (ADA)



T&S BRASS AND BRONZE WORKS, INC.
 2 Saddleback Cove / P.O. Box 1088
 Travelers Rest, SC 29690

Model No.
B-0300
 Item No.

Travelers Rest, SC: 800-476-4103 • Simi Valley, CA: 800-423-0150 • Fax: 864-834-3518 • www.tsbrass.com



ITEM NO.	SALES NO.	DESCRIPTION
1	000965-45	Lock Nut
2	002290-45	Lock Washer
3	005959-40	Eterna Cartridge, LTC
4	005960-40	Eterna Cartridge, RTC
5	001638-45	Lever Handle
6	001660-45	Blue Index-CW
7	001661-45	Red Index-HW
8	000922-45	Lever Handle Screw
9	120X	5 1/2" Rigid Gooseneck
10	B-LT	Stream Regulator Outlet
11	001043-45	Washer
12	002713-40	Eterna Cartridge, LTC w/ Handle, Index & Screw
13	002714-40	Eterna Cartridge, RTC w/ Handle, Index & Screw
14	012534-45	18" Flexible Supply Hose (2)

Product Specifications:
 Single Hole Deck Mount Mixing Faucet, Eterna Cartridges,
 Lever Handles, 5 1/2" Rigid Gooseneck & 18" Flexible Stainless Steel
 Supply Hoses w/ 1/2" NPSM Male Inlets

Product Compliance:
 ASME A112.18.1 / CSA B125.1
 NSF 61 - Section 9
 NSF 372 (Low Lead Content)
 ANSI A117.1 (ADA)