



# T&S BRASS AND BRONZE WORKS, INC.

2 Saddleback Cove / P.O. Box 1088  
Travelers Rest, SC 29690

Model No.

**B-0290-04**

Item No.

Travelers Rest, SC: 800-476-4103 • Simi Valley, CA: 800-423-0150 • Fax: 864-834-3518 • www.tsbrass.com



**ADA Compliant**

This Space for Architect/Engineer Approval

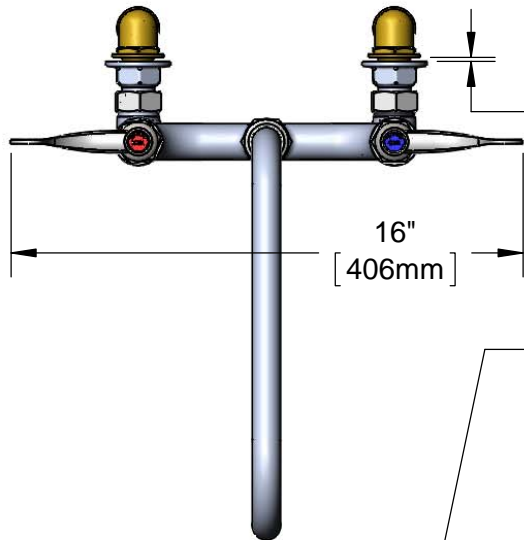
Job Name \_\_\_\_\_ Date \_\_\_\_\_

Model Specified \_\_\_\_\_ Quantity \_\_\_\_\_

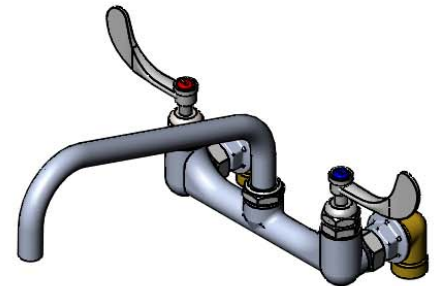
Customer/Wholesaler \_\_\_\_\_

Contractor \_\_\_\_\_

Architect/Engineer \_\_\_\_\_



1/8"  
[3mm]  
Maximum  
Thickness



Big-Flo Cartridges  
& 4" Wrist Action  
Handles w/  
Color Coded  
Indexes

12"  
[305mm]  
114X  
12" Big-Flo Swing  
Nozzle w/ Plain  
End  
Outlet

Swivel Joint

5 3/4"  
[146mm]

8 1/8"  
[206mm]  
4 7/16"  
[113mm]

8"  
[203mm]  
Adjustable from  
7 3/4" to 8 1/4"  
[197mm to 210mm]

1 15/16"  
[49mm]

Ø2" [51mm] Flanges

3/4" NPT Female Inlets

2 1/2"  
[64mm]

Fits Within  
2" [51mm]  
Space

Mounting Surface

**Rough-In Requirement:**  
(2) Ø1 1/4" [382m] Mounting Holes

**Product Specifications:**

8" Wall Mount Big-Flo Mixing Faucet, Big-Flo Cartridges, 4" Wrist Action Handles, 12" Big-Flo Swing Nozzle & 3/4" NPT Female Inlets

**Product Compliance:**

ASME A112.18.1 / CSA B125.1  
NSF 61 - Section 9  
NSF 372 (Low Lead Content)  
ANSI A117.1 (ADA)



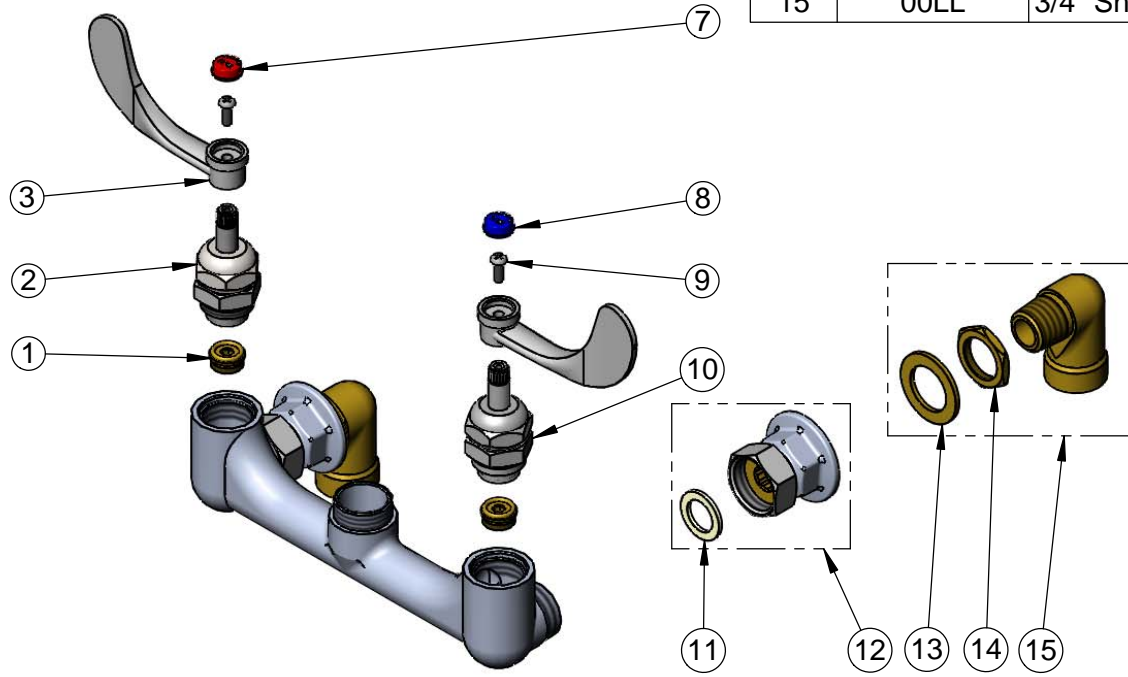
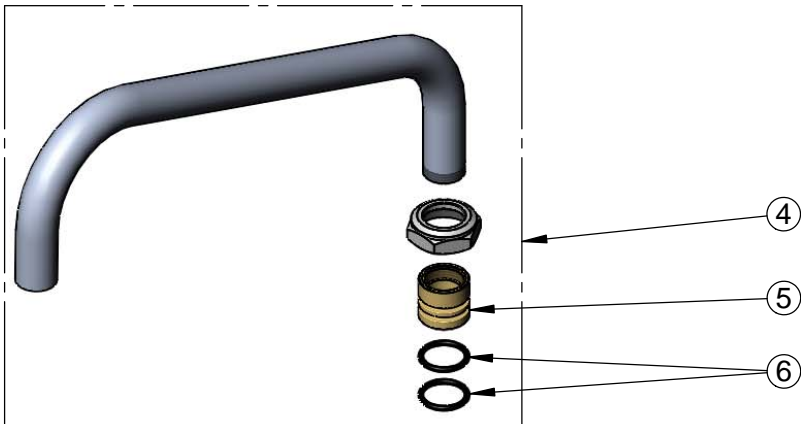
**T&S BRASS AND BRONZE WORKS, INC.**  
 2 Saddleback Cove / P.O. Box 1088  
 Travelers Rest, SC 29690

Model No.  
**B-0290-04**

Item No.

Travelers Rest, SC: 800-476-4103 • Simi Valley, CA: 800-423-0150 • Fax: 864-834-3518 • www.tsbrass.com

ITEM NO.	SALES NO.	DESCRIPTION
1	000764-20	Seat, Big-Flo
2	006482-40	Big-Flo Cartridge, RTC
3	B-WH4	4" Wrist Action Handle
4	114X	12" Big-Flo Swing Nozzle
5	000847-20	Big-Flo Swivel Piece
6	001068-45	O-ring
7	001194-45	Red HW Index
8	001686-45	Blue CW Index
9	000925-45	Lab Handle Screw
10	006481-40	Big-Flo Cartridge, LTC
11	001019-45	Coupling Nut Washer
12	00BB	3/4" NPT Female Eccentric Flange
13	001005-45	Washer
14	000971-45	Lock Nut, 3/4-14 NPSM
15	00LL	3/4" Short Elbow Inlet



Product Specifications:  
 8" Wall Mount Big-Flo Mixing Faucet, Big-Flo Cartridges, 4" Wrist Action Handles, 12" Big-Flo Swing Nozzle & 3/4" NPT Female Inlets

Product Compliance:  
 ASME A112.18.1 / CSA B125.1  
 NSF 61 - Section 9  
 NSF 372 (Low Lead Content)  
 ANSI A117.1 (ADA)