



T&S BRASS AND BRONZE WORKS, INC.

2 SADDLEBACK COVE / P.O. BOX 1088 / TRAVELERS REST, SC 29690

(803) 834-4102 TELEX 57-0311 FAX (803) 834-3518

Model No.

B-0240-LN

Item No.:

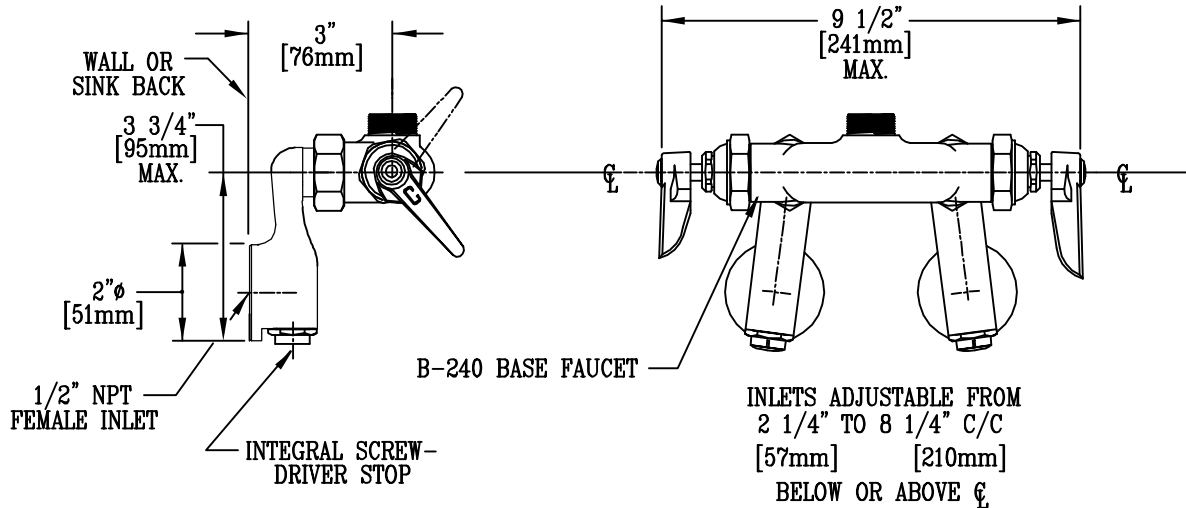
Job Name:

Architect/Engineer Approval:

Notes:



ADA COMPLIANT



Product Description:

COMBINATION SINK FAUCET, LESS NOZZLE WITH ADJUSTABLE INLET ARMS, & INTEGRAL STOPS.

Drawn:

LEL

Checked

JKD

Scale:

1 : 4

Approved

MVW

Date:

9/11/02