



T&S BRASS AND BRONZE WORKS, INC.

2 Saddleback Cove / P.O. Box 1088
Travelers Rest, SC 29690

Model No.

B-0230-135X-WH4

Item No.

Travelers Rest, SC: 800-476-4103 • Simi Valley, CA: 800-423-0150 • Fax: 864-834-3518 • www.tsbrass.com



ADA Compliant

This Space for Architect/Engineer Approval

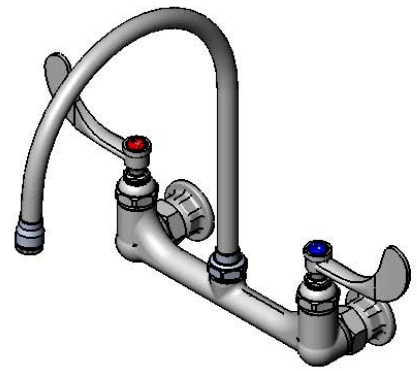
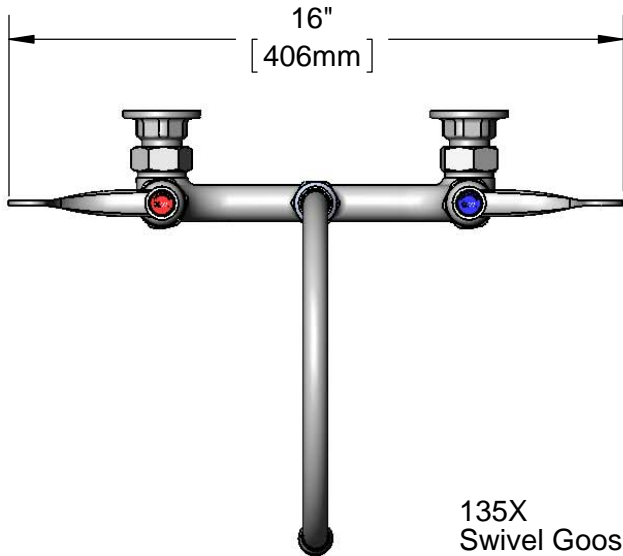
Job Name _____ Date _____

Model Specified _____ Quantity _____

Customer/Wholesaler _____

Contractor _____

Architect/Engineer _____



135X
Swivel Gooseneck w/
Stream Regulator Outlet

Mounting Surface

Eterna Cartridges &
4" Wrist Action Handles w/
Color Coded Indexes

8 3/4"
[223mm]

Swivel Joint

5 7/16"
[137mm]

12 1/2"
[317mm]

6 1/16"
[154mm]

Mounting
Surface

8"
[203mm]

2 3/8"
[61mm]

Adjustable From
7 3/4" to 8 1/4"
[197mm to 210mm]

Ø2" [51mm] Flanges w/
1/2" NPT Female Inlets

Product Specifications:

8" Wall Mount Mixing Faucet, Eterna Cartridges, 4" Wrist Action Handles,
8 3/4" Swivel Gooseneck & 1/2" NPT Female Inlets

Product Compliance:

ASME A112.18.1 / CSA B125.1
NSF 61 - Section 9
NSF 372 (Low Lead Content)
ANSI A117.1 (ADA)



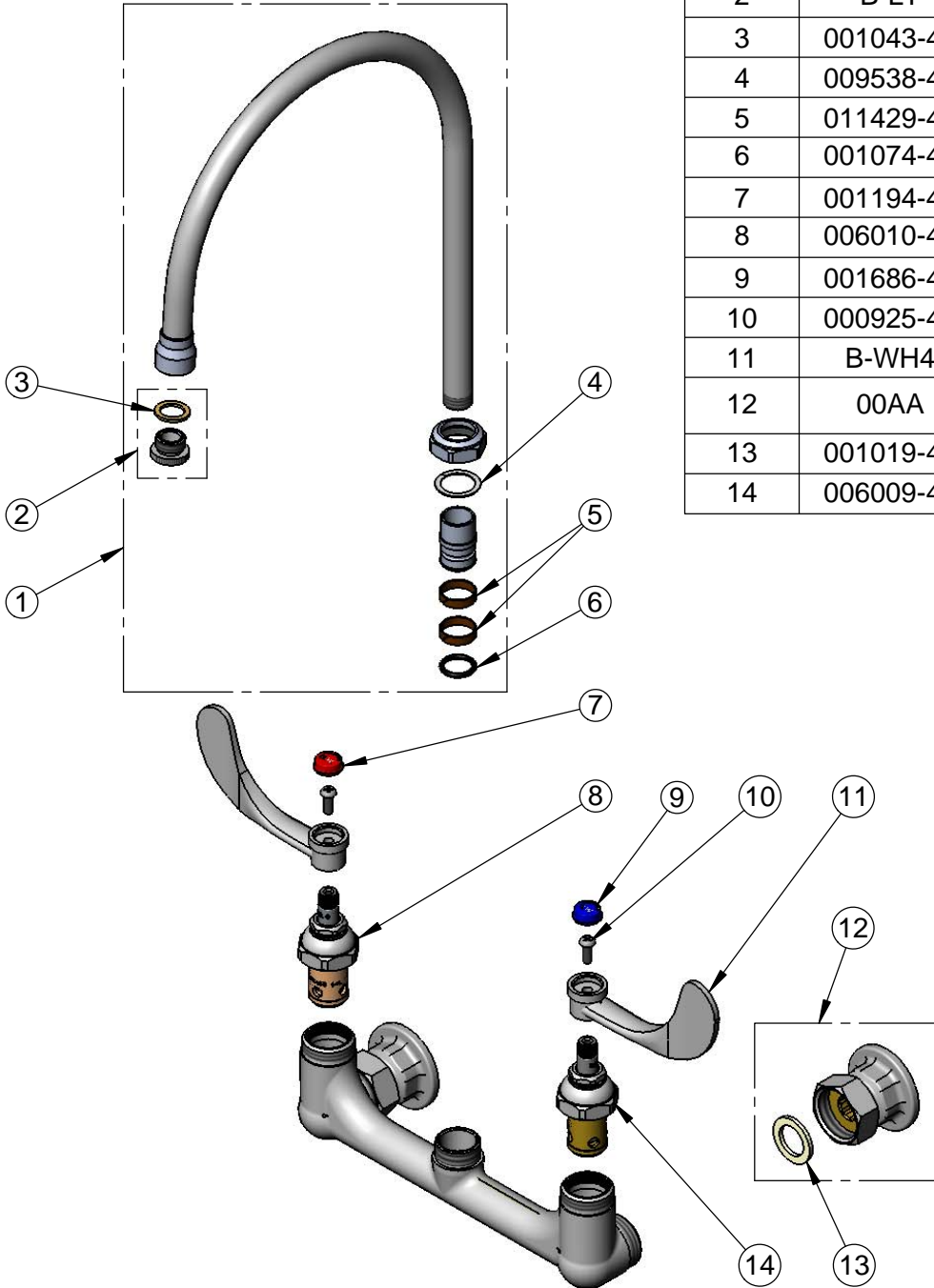
T&S BRASS AND BRONZE WORKS, INC.
 2 Saddleback Cove / P.O. Box 1088
 Travelers Rest, SC 29690

Model No.
B-0230-135X-WH4

Item No.

Travelers Rest, SC: 800-476-4103 • Simi Valley, CA: 800-423-0150 • Fax: 864-834-3518 • www.tsbrass.com

ITEM NO.	SALES NO.	DESCRIPTION
1	135X	8 3/4" Swivel Gooseneck
2	B-LT	Stream Regulator Outlet
3	001043-45	Washer
4	009538-45	Swivel Washer
5	011429-45	Swivel Sleeves (2)
6	001074-45	O-Ring
7	001194-45	Red Index-HW
8	006010-40	Eterna Cartridge, RTC (Teflon)
9	001686-45	Blue Index-CW
10	000925-45	Lab Handle Screw
11	B-WH4	4" Wrist Action Handle
12	00AA	1/2" NPT Female Eccentric Flange
13	001019-45	Coupling Nut Washer
14	006009-40	Eterna Cartridge, LTC (Teflon)



Product Specifications:
 8" Wall Mount Mixing Faucet, Eterna Cartridges, 4" Wrist Action Handles,
 8 3/4" Swivel Gooseneck & 1/2" NPT Female Inlets

Product Compliance:
 ASME A112.18.1 / CSA B125.1
 NSF 61 - Section 9
 NSF 372 (Low Lead Content)
 ANSI A117.1 (ADA)