



**T&S BRASS AND BRONZE WORKS, INC.**  
 2 Saddleback Cove / P.O. Box 1088  
 Travelers Rest, SC 29690

Model No.  
**B-0220-LN-WH4**

Item No.

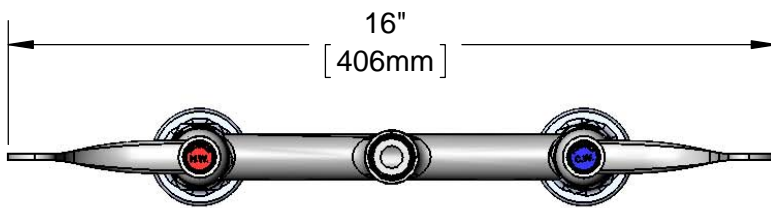
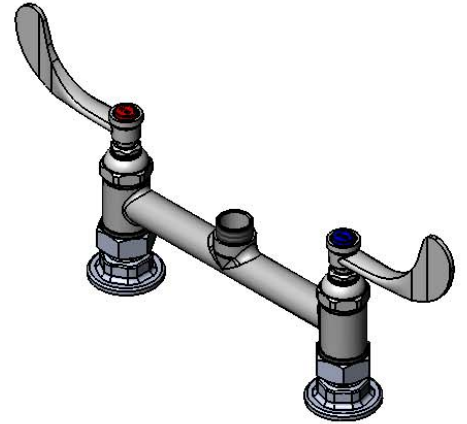
Travelers Rest, SC: 800-476-4103 • Simi Valley, CA: 800-423-0150 • Fax: 864-834-3518 • www.tsbrass.com

This Space for Architect/Engineer Approval

Job Name \_\_\_\_\_ Date \_\_\_\_\_  
 Model Specified \_\_\_\_\_ Quantity \_\_\_\_\_  
 Customer/Wholesaler \_\_\_\_\_  
 Contractor \_\_\_\_\_  
 Architect/Engineer \_\_\_\_\_

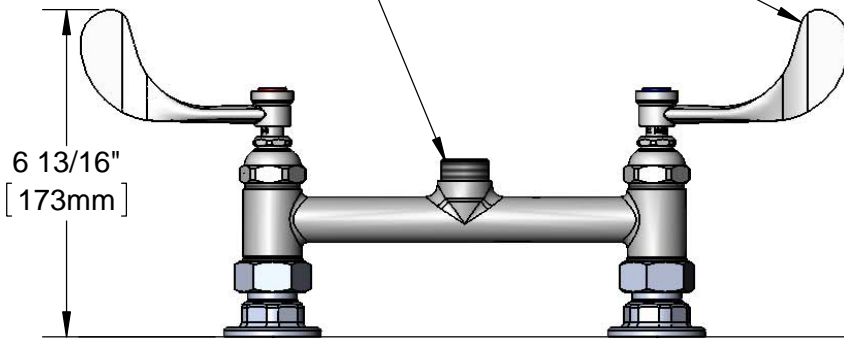


**ADA Compliant**



Swivel Outlet Accepts  
 Standard T&S Swing Nozzles

Eterna Cartridges &  
 4" Wrist Action Handles w/  
 Color Coded Indexes



Mounting Surface

8"  
[203mm]  
 Adjustable From  
 7 3/4" to 8 1/4"  
 [197mm to 210mm]

Ø 2" [51mm]  
 Flanges w/  
 1/2" NPT  
 Female Inlets



**Product Specifications:**

**8" Deck Mount Mixing Faucet, Eterna Cartridges, 4" Wrist Action Handles & 1/2" NPT Female Inlets, Less Nozzle**

**Product Compliance:**

ASME A112.18.1 / CSA B125.1  
 NSF 61 - Section 9  
 NSF 372 (Low Lead Content)  
 ANSI A117.1 (ADA)



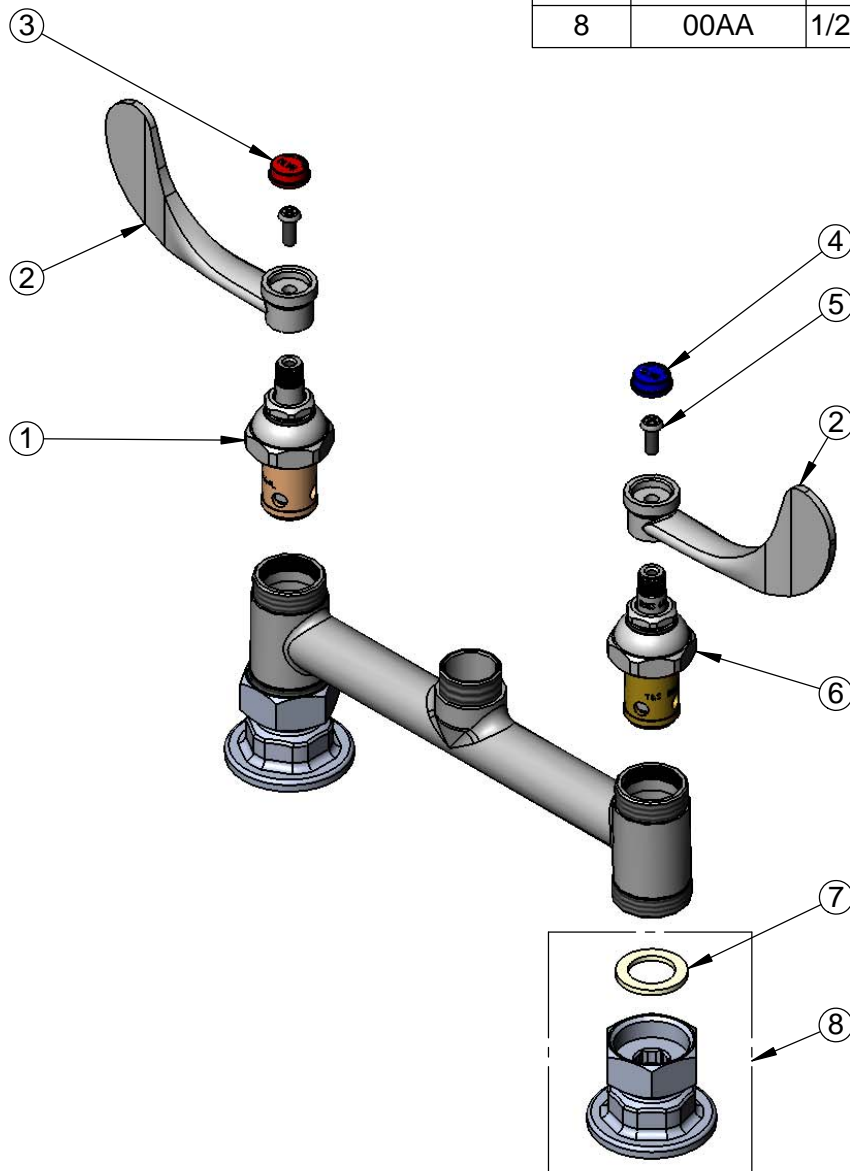
**T&S BRASS AND BRONZE WORKS, INC.**  
 2 Saddleback Cove / P.O. Box 1088  
 Travelers Rest, SC 29690

Model No.  
**B-0220-LN-WH4**

Item No.

Travelers Rest, SC: 800-476-4103 • Simi Valley, CA: 800-423-0150 • Fax: 864-834-3518 • www.tsbrass.com

ITEM NO.	SALES NO.	DESCRIPTION
1	006010-40	Eterna Cartridge, RTC w/ Tefon Seat
2	B-WH4	4" Wrist Action Handle
3	001194-45	Red Index - HW
4	001686-45	Blue Index - CW
5	000925-45	Lab Handle Screw
6	006009-40	Eterna Cartridge, LTC w/ Teflon Seat
7	001019-45	Coupling Nut Washer
8	00AA	1/2" NPT Female Eccentric Flange



Product Specifications:  
 8" Deck Mount Mixing Faucet, Eterna Cartridges, 4" Wrist  
 Action Handles & 1/2" NPT Female Inlets, Less Nozzle

Product Compliance:  
 ASME A112.18.1 / CSA B125.1  
 NSF 61 - Section 9  
 NSF 372 (Low Lead Content)  
 ANSI A117.1 (ADA)