



T&S BRASS AND BRONZE WORKS, INC.

2 Saddleback Cove / P.O. Box 1088
Travelers Rest, SC 29690

Model No.

B-0208

Item No.

Travelers Rest, SC: 800-476-4103 • Simi Valley, CA: 800-423-0150 • Fax: 864-834-3518 • www.tsbrass.com

This Space for Architect/Engineer Approval

Job Name _____ Date _____

Model Specified _____ Quantity _____

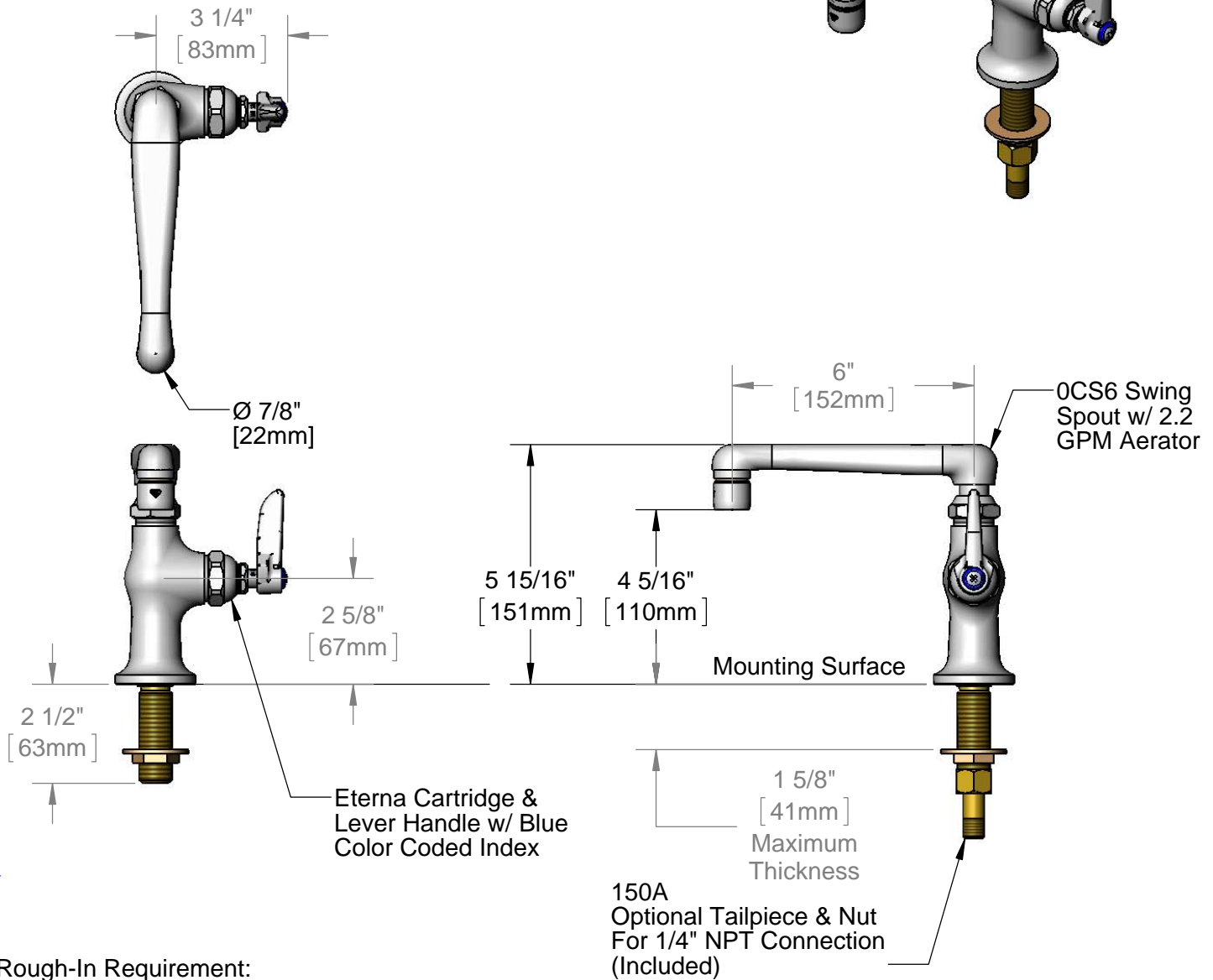
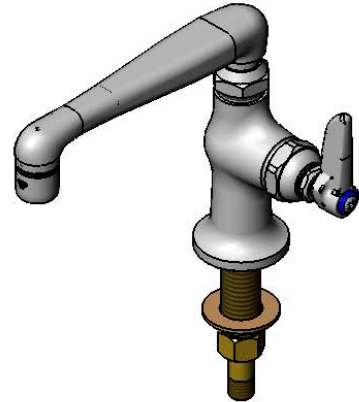
Customer/Wholesaler _____

Contractor _____

Architect/Engineer _____



ADA Compliant



Rough-In Requirement:
Ø 1" [25mm] Mounting Hole

Product Specifications:

Single Hole Single Temperature Deck Mount Faucet, Eterna Cartridge, Lever Handle, 6" Cast Spout & 1/2" NPSM Male Inlet

Product Compliance:

ASME A112.18.1 / CSA B125.1
NSF 61 - Section 9
NSF 372 (Low Lead Content)
ANSI A117.1 (ADA)



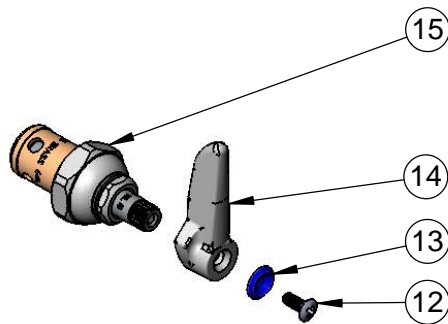
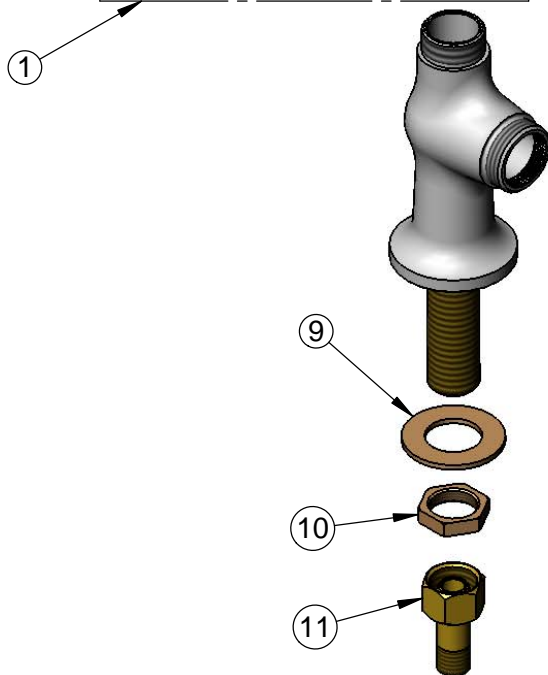
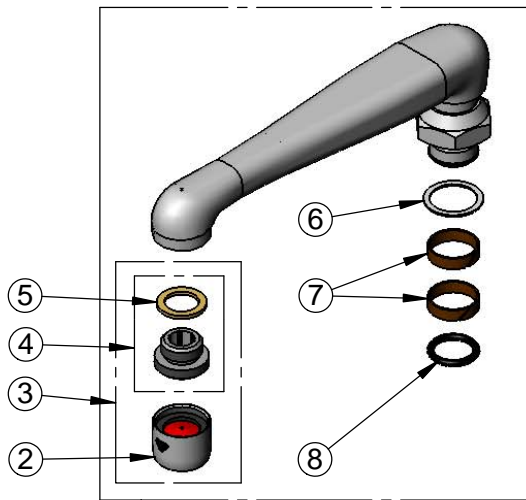
T&S BRASS AND BRONZE WORKS, INC.
 2 Saddleback Cove / P.O. Box 1088
 Travelers Rest, SC 29690

Model No.
B-0208

Item No.

Travelers Rest, SC: 800-476-4103 • Simi Valley, CA: 800-423-0150 • Fax: 864-834-3518 • www.tsbrass.com

ITEM NO.	SALES NO.	DESCRIPTION
1	0CS6	6" Cast Spout
2	B-0199-01	2.2 GPM Aerator, 55/64"-27 UN Female
3	B-0199-02	2.2 GPM Aerator, 3/8" NPSM Male
4	044A	3/8" to Aerator Adapter w/ Washer
5	001043-45	Washer
6	009E	Plastic Washer
7	011429-45	Swivel Sleeves (2)
8	001074-45	O-Ring
9	000999-45	Brass Lock Washer
10	002954-45	Shank Lock Nut
11	150A	1/4" NPT Tailpiece & Nut
12	000922-45	Lever Handle Screw
13	001660-45	Blue Index-CW
14	001638-45	Lever Handle
15	005960-40	Eterna Cartridge, RTC



Product Specifications:
 Single Hole Single Temperature Deck Mount Faucet, Eterna Cartridge, Lever Handle, 6" Cast Spout & 1/2" NPSM Male Inlet

Product Compliance:
 ASME A112.18.1 / CSA B125.1
 NSF 61 - Section 9
 NSF 372 (Low Lead Content)
 ANSI A117.1 (ADA)