



**T&S BRASS AND BRONZE WORKS, INC.**  
 2 Saddleback Cove / P.O. Box 1088  
 Travelers Rest, SC 29690

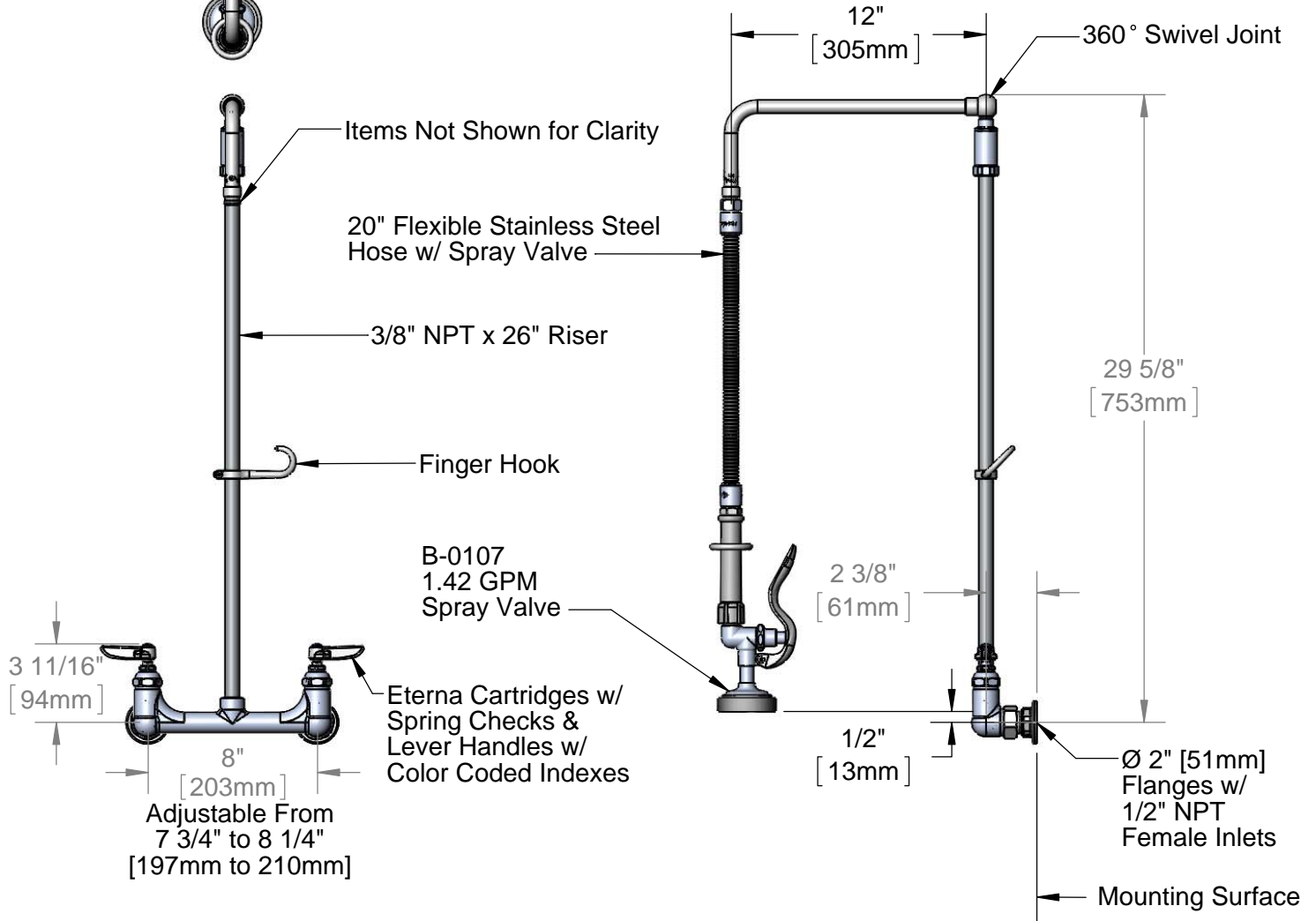
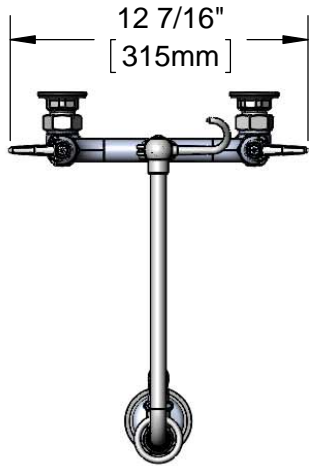
Model No.  
**B-0131**

Item No.

Travelers Rest, SC: 800-476-4103 • Simi Valley, CA: 800-423-0150 • Fax: 864-834-3518 • www.tsbrass.com

This Space for Architect/Engineer Approval

Job Name \_\_\_\_\_ Date \_\_\_\_\_  
 Model Specified \_\_\_\_\_ Quantity \_\_\_\_\_  
 Customer/Wholesaler \_\_\_\_\_  
 Contractor \_\_\_\_\_  
 Architect/Engineer \_\_\_\_\_



Product Specifications:

Pre-Rinse Unit: 8" Wall Mount Mixing Faucet, Eterna Cartridges w/ Spring Checks, Lever Handles, Overhead Swivel Arm, 20" Flexible Stainless Steel Hose w/ 1.42 GPM Spray Valve & 1/2" NPT Female Inlets

Product Compliance:

ASME A112.18.1 / CSA B125.1  
 NSF 61 - Section 9  
 NSF 372 (Low Lead Content)  
 EPA Act 2005 (PRSV)



# T&S BRASS AND BRONZE WORKS, INC.

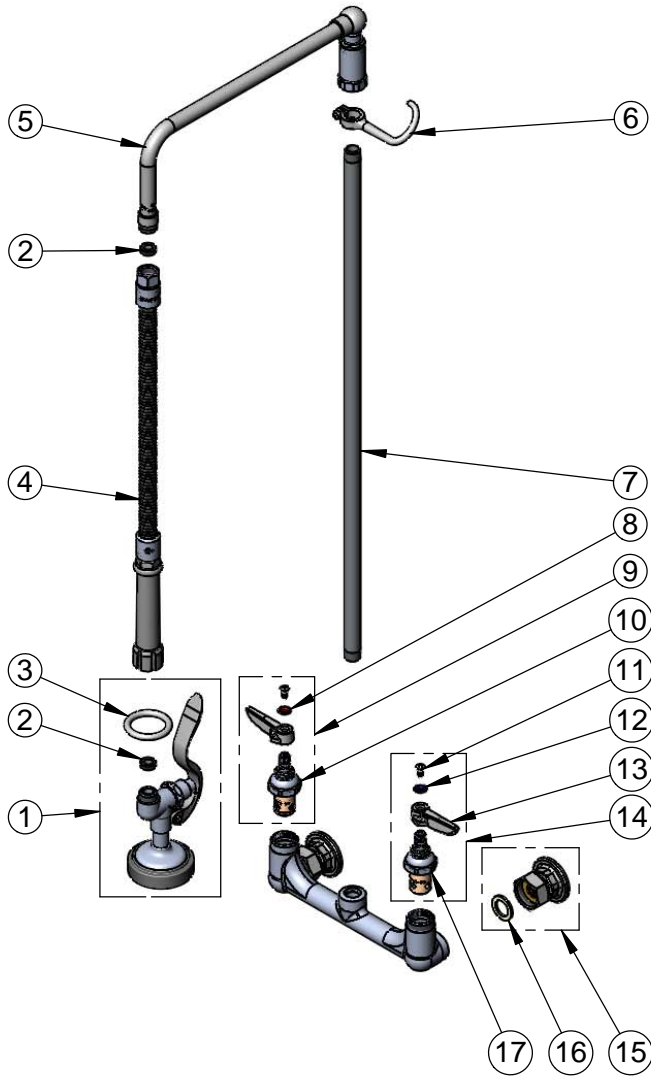
2 Saddleback Cove / P.O. Box 1088  
Travelers Rest, SC 29690

Model No.

**B-0131**

Item No.

Travelers Rest, SC: 800-476-4103 • Simi Valley, CA: 800-423-0150 • Fax: 864-834-3518 • www.tsbrass.com



| ITEM NO. | SALES NO. | DESCRIPTION  |
|----------|-----------|--|
| 1        | B-0107    | 1.42 GPM Spray Valve   |
| 2        | 010476-45 | #27 Washer   |
| 3        | 000907-45 | Spray Valve Hold Down Ring                                   |
| 4        | B-0020-H  | 20" Flexible Stainless Steel Hose                            |
| 5        | 002882-40 | 12" Swivel L-Tube  |
| 6        | 004R      | Finger Hook  |
| 7        | 000373-40 | 3/8" NPT x 26" Riser   |
| 8        | 001661-45 | Red Index-HW   |
| 9        | 002712-40 | Eterna Cartridge, RTC w/ Spring Check, Handle, Index & Screw |
| 10       | 012443-40 | Eterna Cartridge, RTC w/ Spring Check                        |
| 11       | 000922-45 | Lever Handle Screw   |
| 12       | 001660-45 | Blue Index-CW  |
| 13       | 001638-45 | Lever Handle   |
| 14       | 002711-40 | Eterna Cartridge, LTC w/ Spring Check, Handle, Index & Screw |
| 15       | 00AA      | 1/2" NPT Female Eccentric Flange                             |
| 16       | 001019-45 | Coupling Nut Washer  |
| 17       | 012442-40 | Eterna Cartridge, LTC w/ Spring Check                        |

**Product Specifications:**

Pre-Rinse Unit: 8" Wall Mount Mixing Faucet, Eterna Cartridges w/ Spring Checks, Lever Handles, Overhead Swivel Arm, 20" Flexible Stainless Steel Hose w/ 1.42 GPM Spray Valve & 1/2" NPT Female Inlets

**Product Compliance:**

ASME A112.18.1 / CSA B125.1  
NSF 61 - Section 9  
NSF 372 (Low Lead Content)  
EPA Act 2005 (PRSV)