



T&S BRASS AND BRONZE WORKS, INC.

2 Saddleback Cove / P.O. Box 1088
Travelers Rest, SC 29690

Model No.

B-0113-ADF12-B

Item No.

Travelers Rest, SC: 800-476-4103 • Simi Valley, CA: 800-423-0150 • Fax: 864-834-3518 • www.tsbrass.com

This Space for Architect/Engineer Approval

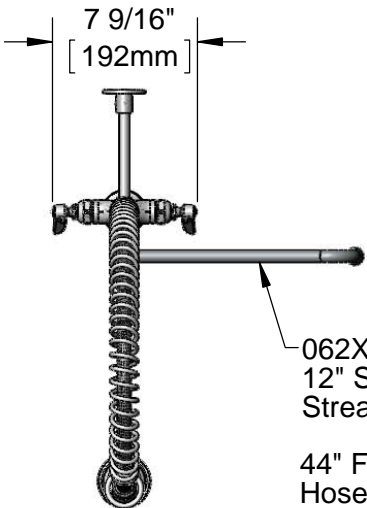
Job Name _____ Date _____

Model Specified _____ Quantity _____

Customer/Wholesaler _____

Contractor _____

Architect/Engineer _____



062X
12" Swing Nozzle w/
Stream Regulator Outlet

44" Flexible Stainless Steel
Hose w/ Spring & Spray Valve

Items Not Shown
For Clarity

3/8" NPT x 24" Riser

Finger Hook

B-0107
1.42 GPM
Spray Valve

B-0109-01
6" Wall
Bracket

46 5/16"
[1176mm]

2 5/16"
[59mm]

EasyInstall
Lock Nut &
Bushing

2 5/16"
[58mm]

12"
[305mm]

14 3/4"
[375mm]

12"
[305mm]

16 3/4"
[425mm]

7 1/8"
[181mm]

EasyInstall
Add-On
Faucet w/
Quarter-
Turn Eterna
Cartridge
& Lever
Handle

Mounting
Surface

Eterna Cartridges w/ Spring
Checks & Lever Handles w/
Color Coded Indexes

Ø 2 1/4"
[57mm]
Deck Flange

1 3/8"
[35mm]
Maximum
Thickness

18" Flexible
Stainless Steel
Supply Hoses

Compression Fittings
for 5/8" O.D. Copper Tubing
(Remove Compression Nut
for 1/2" NPSM Male)

Rough-In Requirement:
Ø 1 1/2" [38mm] Mounting Hole

Product Specifications:

Pre-Rinse Unit: EasyInstall Single Hole Deck Mount Mixing Faucet, Eterna Cartridges w/ Spring Checks, Lever Handles, Add-On Faucet, 12" Swing Nozzle, 44" Flexible Stainless Steel Hose, 1.42 GPM Spray Valve, 6" Wall Bracket & Flexible Stainless Steel Supply Hoses

Product Compliance:

ASME A112.18.1 / CSA B125.1
NSF 61 - Section 9
NSF 372 (Low Lead Content)
EPA Act 2005 (PRSV)



T&S BRASS AND BRONZE WORKS, INC.

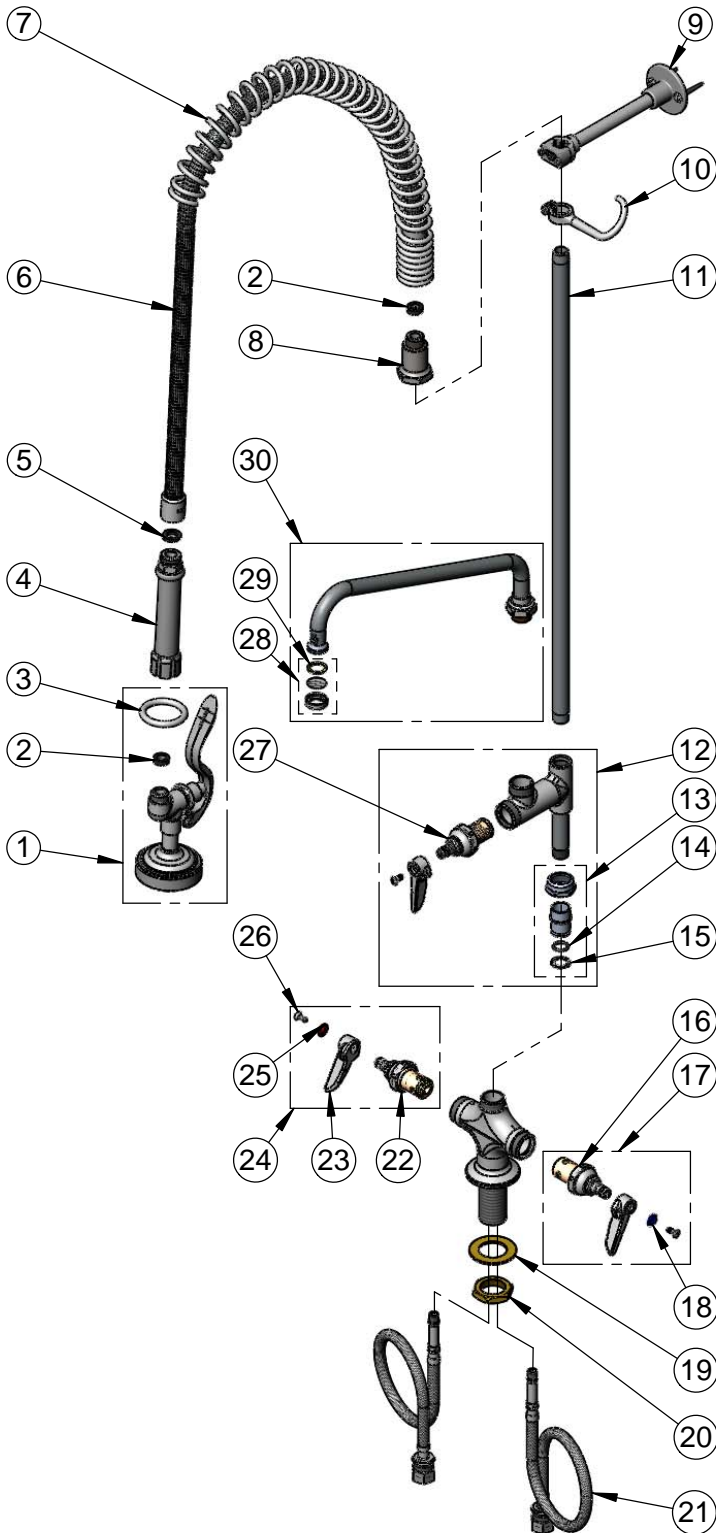
2 Saddleback Cove / P.O. Box 1088
Travelers Rest, SC 29690

Model No.

B-0113-ADF12-B

Item No.

Travelers Rest, SC: 800-476-4103 • Simi Valley, CA: 800-423-0150 • Fax: 864-834-3518 • www.tsbrass.com



ITEM NO.	SALES NO.	DESCRIPTION
1	B-0107	1.42 GPM Spray Valve
2	010476-45	#27 Washer
3	000907-45	Spray Valve Hold Down Ring
4	002987-40	Grip Handle
5	001014-45	Washer, B-0100 Hose Barrel
6	B-0044-H2A	44" Flexible Stainless Steel Hose, Less Handle
7	000888-45	EasyInstall Overhead Spring
8	000821-40	Spring Body
9	B-0109-01	6" Wall Bracket
10	004R	Finger Hook
11	000372-40	3/8" NPT x 24" Riser
12	B-0155-LNEZ	EasyInstall Add-On Faucet w/ Eterna Cartridge & Lever Handle (Less Nozzle)
13	EZ-K	EasyInstall Kit: Nut, Bushing, O-ring & Lock Washer
14	001065-45	O-Ring
15	014200-45	Star Washer, Anti-Rotation
16	012442-40	Eterna Cartridge, LTC w/ Spring Check
17	002711-40	Eterna Cartridge, LTC w/ Spring Check, Handle, Index & Screw
18	001660-45	Blue Index-CW
19	002290-45	Lock Washer
20	000965-45	Lock Nut
21	012534-45	18" Flexible Supply Hose (2)
22	012443-40	Eterna Cartridge, RTC w/ Spring Check
23	001638-45	Lever Handle
24	002712-40	Eterna Cartridge, RTC w/ Spring Check, Handle, Index & Screw
25	001661-45	Red Index-HW
26	000922-45	Lever Handle Screw
27	005960-40QT	1/4 Turn Eterna Cartridge, RTC
28	B-PT	Stream Regulator Outlet
29	001048-45	Nozzle Tip Washer
30	062X	12" Swing Nozzle

Product Specifications:

Pre-Rinse Unit: EasyInstall Single Hole Deck Mount Mixing Faucet, Eterna Cartridges w/ Spring Checks, Lever Handles, Add-On Faucet, 12" Swing Nozzle, 44" Flexible Stainless Steel Hose, 1.42 GPM Spray Valve, 6" Wall Bracket & Flexible Stainless Steel Supply Hoses

Product Compliance:

ASME A112.18.1 / CSA B125.1
NSF 61 - Section 9
NSF 372 (Low Lead Content)
EPA Act 2005 (PRSV)