



T&S BRASS AND BRONZE WORKS, INC.

2 Saddleback Cove / P.O. Box 1088
Travelers Rest, SC 29690

Model No.

B-0028-H2A

Item No.

Travelers Rest, SC: 800-476-4103 • Simi Valley, CA: 800-423-0150 • Fax: 864-834-3518 • www.tsbrass.com

This Space for Architect/Engineer Approval

Job Name _____ Date _____

Model Specified _____ Quantity _____

Customer/Wholesaler _____

Contractor _____

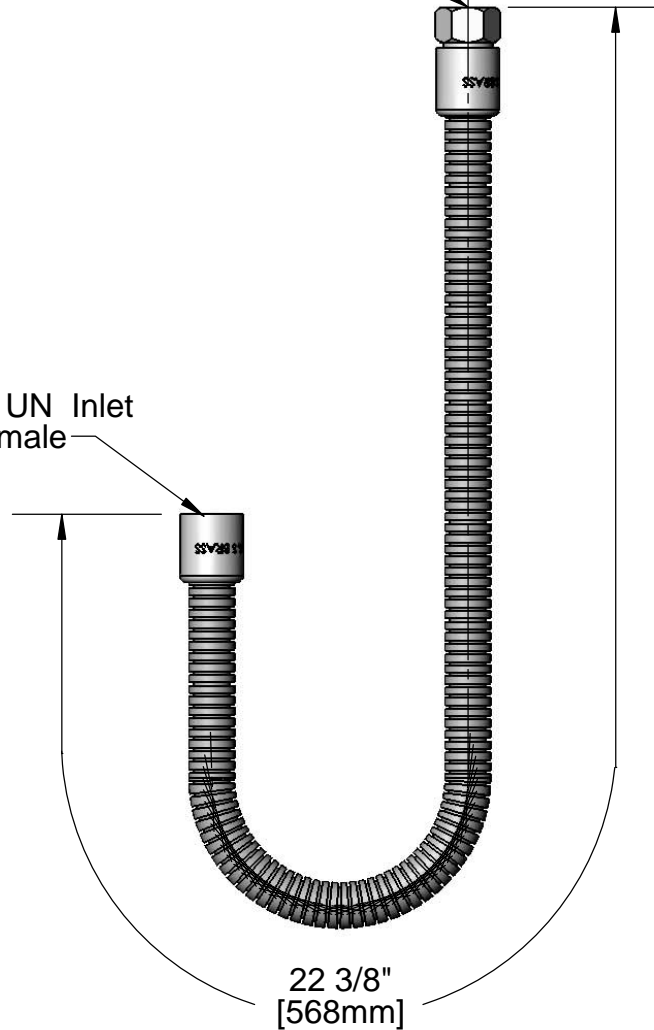
Architect/Engineer _____

3/4-14 UN Inlet
Female


010476-45
Washer Furnished
w/ Hose


001014-45
Washer Furnished
w/ Hose

7/8-20 UN Inlet
Female



Product Specifications:
28" Flexible Stainless Steel Hose Assembly (Less Handle)

Drawn

DHL

Checked

DMH

Approved

JHB

Scale:

1:3

Date:

12/08/11



T&S BRASS AND BRONZE WORKS, INC.

2 Saddleback Cove / P.O. Box 1088

Travelers Rest, SC 29690

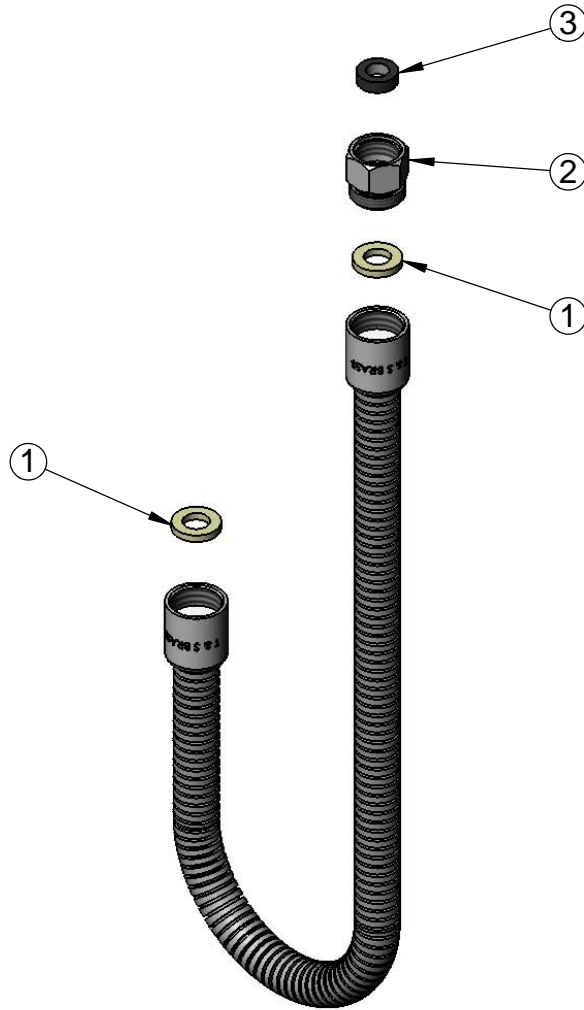
Model No.

B-0028-H2A

Item No.

Travelers Rest, SC: 800-476-4103 • Simi Valley, CA: 800-423-0150 • Fax: 864-834-3518 • www.tsbrass.com

ITEM NO.	SALES NO.	DESCRIPTION
1	001014-45	Washer, B-0100 Hose Barrel
2	000729-40	Nut, 7/8"-20 Male x 3/4"-14 Female
3	010476-45	#27 Washer



Product Specifications:
28" Flexible Stainless Steel Hose Assembly (Less Handle)

Drawn

DHL

Checked

DMH

Approved

JHB

Scale:

NTS

Date:

12/08/11