



T&S BRASS AND BRONZE WORKS, INC.
 2 Saddleback Cove / P.O. Box 1088
 Travelers Rest, SC 29690

Model No.
B-0012-VB

Item No.

Travelers Rest, SC: 800-476-4103 • Simi Valley, CA: 800-423-0150 • Fax: 864-834-3518 • www.tsbrass.com

This Space for Architect/Engineer Approval

Job Name _____ Date _____
 Model Specified _____ Quantity _____
 Customer/Wholesaler _____
 Contractor _____
 Architect/Engineer _____



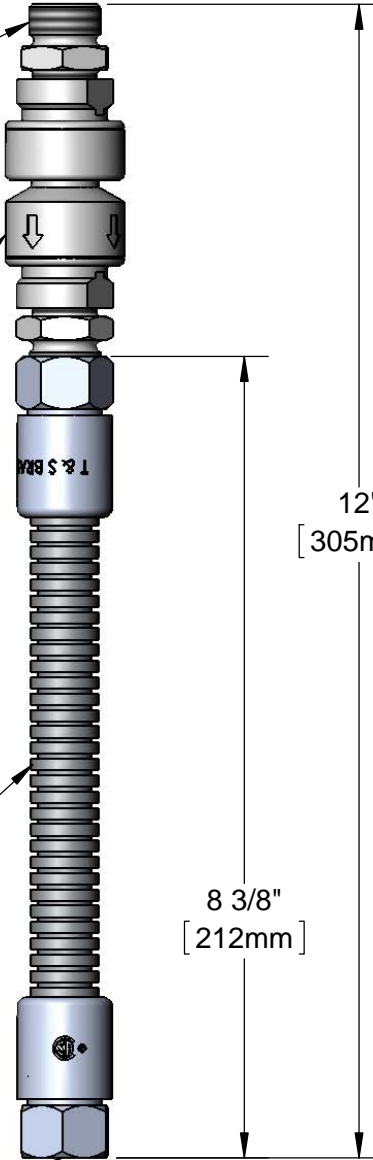
010476-45
 Washer
 (Included)

3/4"-14 UN
 Male Thread

B-0970-FE
 Continuous Pressure
 Atmospheric Vacuum
 Breaker

Flexible Stainless Steel
 Hose w/ Polyurethane
 Inner Hose

3/4"-14 UN
 Female Outlet



12"
 [305mm]

8 3/8"
 [212mm]

Product Specifications:
 Flexible Stainless Steel Hose w/ Vacuum Breaker

Drawn
KJG

Checked
DMH

Approved
JHB

Scale:
1:2

Date:
10/29/13